



keyword search:

part number search:

APT47N60BCFG (#75216)

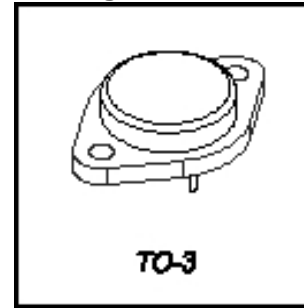
[RFQ/Sample](#)



COOLMOS FREDFETS

Division [PPG \(Bend\)](#) **Datasheet** (none)
Mil-Spec (none)
Shipping (none) **Qual Data** Contact Microsemi
ROHS By Design

Package



| Maximum Electrical Rating | Symbol | Max | Unit |
|---|------------|-----|------|
| Breakdown Voltage Drain -to-Source | B_{VDSS} | 600 | V |
| Drain Current (Continuous) | I_D | 46 | A |

| Electrical Rating | Symbol | Min | Typ | Max | Unit |
|---|--------------|-----|-----|------|------|
| Static Drain to Source "on" Resistance | $R_{DS(on)}$ | | | 0.83 | Ohm |

