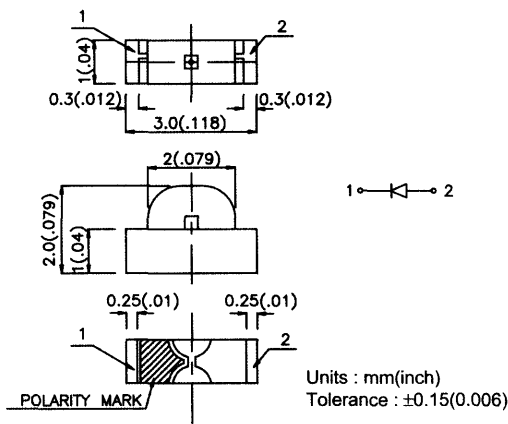
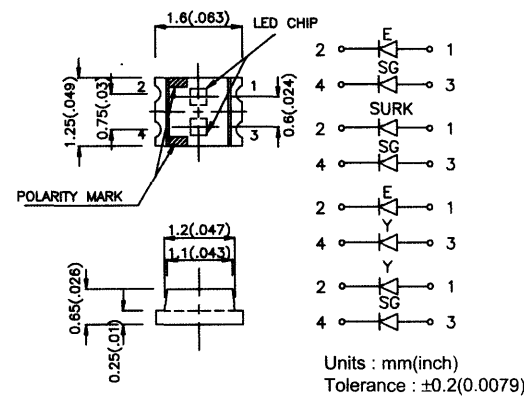


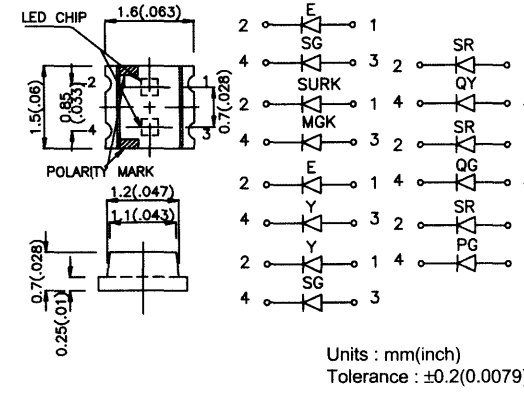
Part No.	Emitting Color + Material	$\lambda$ D (nm)	Lens Type	Iv (mcd) @20mA		Viewing Angle 2 $\theta$ /2	Dimension
				Min.	Typ.		
APA3010EC	GaAsP/GaP	625	water clear	5	12	120°	3.0mm x 1.0mm x 2mm (1104 Right Angle)
APA3010NC	GaAsP/GaP	610	water clear	5	12	120°	
APA3010QGC	GaP	565	water clear	3	12	120°	
APA3010PGC	GaP	555	water clear	2	5	120°	
APA3010QYC	GaP	568	water clear	3	12	120°	
APA3010YC	GaAsP/GaP	588	water clear	3	5	120°	
APA3010PYC	GaAsP/GaP	585	water clear	3	5	120°	
APA3010SRCPRV	GaAlAs	640	water clear	20	60	120°	
APA3010SURC	InGaAlP	628	water clear	50	120	120°	
APA3010SURCK	InGaAlP	630	water clear	50	100	120°	
APA3010SEC	InGaAlP	601	water clear	50	300	120°	
APA3010SECK	InGaAlP	601	water clear	80	200	120°	
APA3010SEW/E	InGaAlP	621	white diffused	80	200	120°	
APA3010SYC	InGaAlP	588	water clear	40	60	120°	
APA3010SYCK	InGaAlP	590	water clear	18	50	120°	
APA3010MBC	GaN	455	water clear	3	8	120°	
APA3010MBCK	GaN	455	water clear	1.6	5	120°	
APA3010PBC	InGaN	465	water clear	20	45	120°	



APTB1612ESGC	GaAsP/GaP	625	water clear	5	12	120°	1.6mm x 1.2mm x 0.65mm (0605 Bi-Color)
	GaP	568		3	12		
APTB1612SURKSGC	InGaAlP	630	water clear	80	150	120°	
	GaP	568		3	12		
APTB1612EYC	GaAsP/GaP	625	water clear	5	12	120°	
	GaAsP/GaP	588		3	8		
APTB1612YSGC	GaAsP/GaP	588	water clear	3	8	120°	
	GaP	568		3	12		



APTB1615ESGC	GaAsP/GaP	625	water clear	5	12	120°	1.6mm x 1.5mm x 0.7mm (0606 Bi-Color)
	GaP	568		3	12		
APTB1615SRQYWPR	GaAlAs	640	white diffused	30	80	120°	
	GaP	568		3	12		
APTB1615SRQGWPR	GaAlAs	640	white diffused	30	80	120°	
	GaP	565		3	12		
APTB1615SRPGWPR	GaAlAs	640	white diffused	30	80	120°	
	GaP	555		2	5		
APTB1615SURKMGK	InGaAlP	630	water clear	80	150	120°	
	InGaAlP	570		10	30		
APTB1615EYC	GaAsP/GaP	625	water clear	5	12	120°	
	GaAsP/GaP	588		3	8		
APTB1615YSGC	GaAsP/GaP	588	water clear	2.6	6	120°	
	GaP	568		2.6	12		



**NOTE :**  
1. AP series custom-made is available upon request.