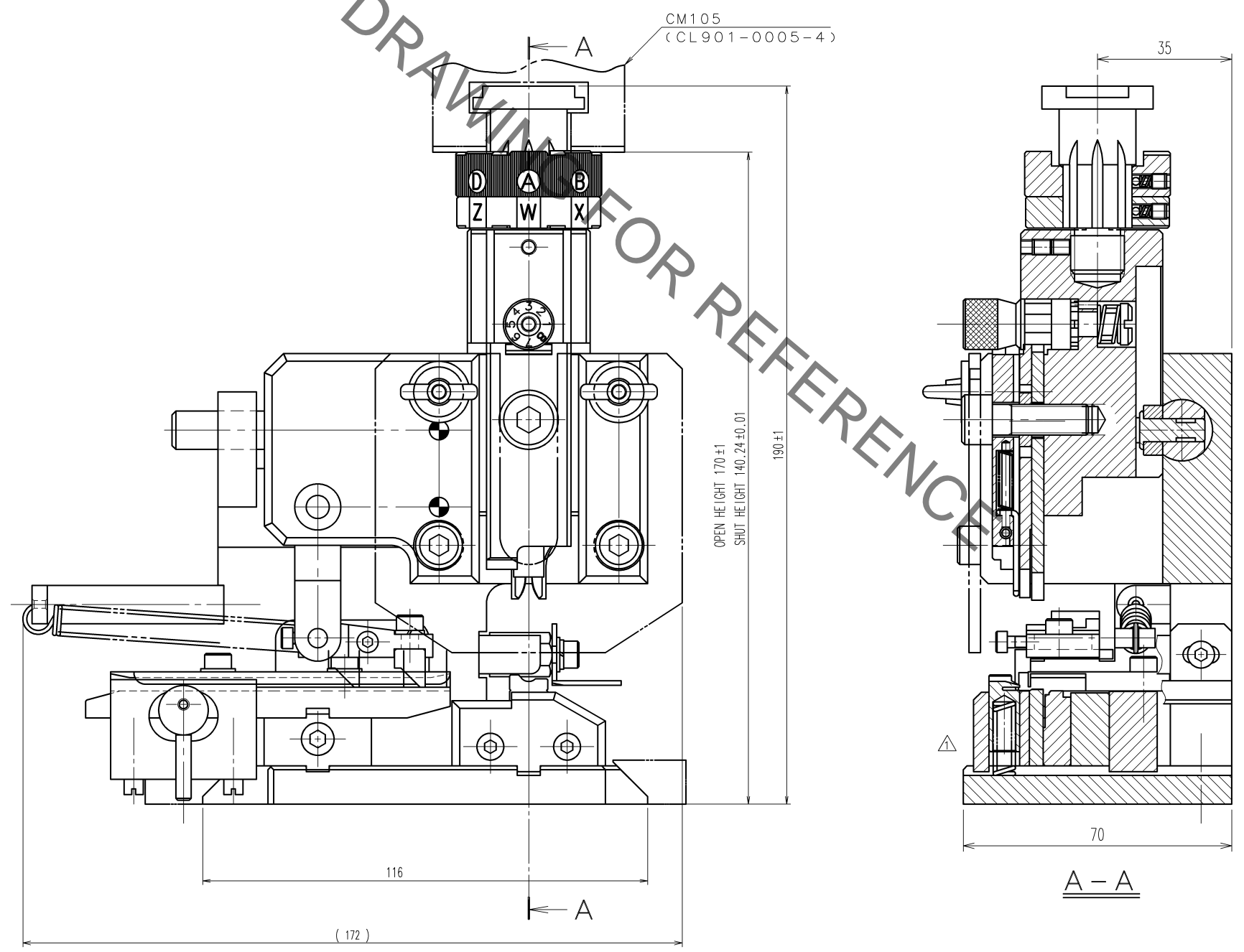


Feb.1.2022 Copyright 2022 HIROSE ELECTRIC CO., LTD. All Rights Reserved.  
In case of consideration for using Automotive equipment / device which demand high reliability, kindly contact our sales window

COUNT	DESCRIPTION OF REVISIONS	BY	CHKD	DATE	COUNT	DESCRIPTION OF REVISIONS	BY	CHKD	DATE
1	DIS-P-00001045	NISHIDA	TOKUTA	21. 1 .05					



Notes. 1 Contact of ZE05-2022SCF(CL752-2001-0) is assembled for this tool.

TO
PE

2			4		
1			3		
NO.	MATERIAL	FINISH, REMARKS	NO.	MATERIAL	FINISH, REMARKS
CODE NO. (OLD)			DRAWN	DESIGNED	CHECKED
CL			K. SUGIBUCHI	K. SUGIBUCHI	T. ITO
			17.3.10	17.3.10	17.3.14
			APPROVED	RELEASED	
			T. ITO	T. ITO	
			17.3.14	17.3.14	
DRAWING NO.			PART NO.		
EDC-285300-00-00			AP105-ZE05-2022S		
SCALE			CODE NO.		
1 : 1			CL901-5239-0		
UNITS			mm		
HRS			HIROSE ELECTRIC CO., LTD.		