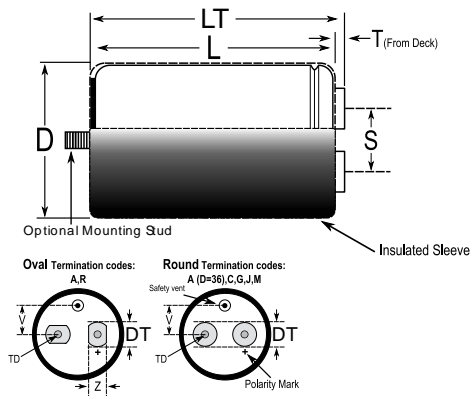


KEMET Part Number: ALS30A471DA200
(A331FB471M200A)



Capacitor, aluminum, 470 uF, +/-20% Tol, -40/+85C, 200VDC@85° C



Dimensions (mm)		
Symbol	Dimension	Tolerance
D	36	+/-1
L	52	+/-2
LT	58.5	+/-1
S	12.8	+/-0.5
T	7.14	+/-0.5
TD	10	MIN
DT	8	+/-0.5
V	8	NOM

Notes:
-Dimensions D and L include sleeving

General Information	
Supplier:	KEMET
Part Type Description:	Computer Grade Aluminum Electrolytic
Style:	Computer Grade
Lead Type:	Threaded Inserts- M5
Mounting Type:	Clip- V3/H2/UTE2736
Weight:	75 g

Specifications	
Capacitance:	470 uF
Tolerance:	+/-20%
Rated Temperature:	85° C
Voltage @ rated temp:	200VDC
VDC Surge:	230VDC
Transient Voltage:	350V
Life @ rated temp:	11000 Hrs
RoHS:	Yes
Low Z/ESR:	Yes
Temperature Range:	-40/+85C
ESR at 100Hz @ room temp:	286 mOhm
ESR at 120Hz @ room temp:	271 mOhm
ESR at 100kHz @ room temp:	197 mOhm
Leakage Current:	564 uA
Leakage Condition:	5min/20c
Impedance @ 10kHz:	227 mOhm
Impedance @ 100kHz:	197 mOhm
Ripple 100Hz @ rated temp:	2.6 A
Ripple 10kHz @ rated temp:	4.3 A

Packaging Specifications	
Package Kind:	Bulk

Statements of suitability for certain applications are based on our knowledge of typical operating conditions for such applications, but are not intended to constitute - and we specifically disclaim - any warranty concerning suitability for a specific customer application or use. This Information is intended for use only by customers who have the requisite experience and capability to determine the correct products for their application. Any technical advice inferred from this Information or otherwise provided by us with reference to the use of our products is given gratis, and we assume no obligation or liability for the advice given or results obtained.

