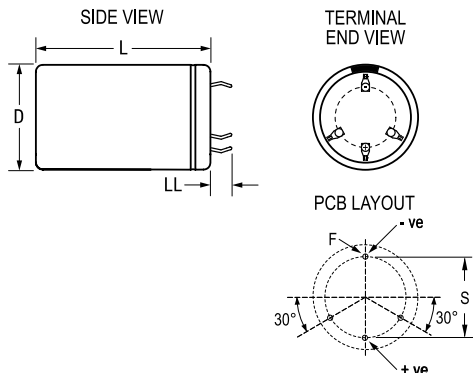


**KEMET Part Number: ALC80C222FP400**  
(A547JW222M400C)

ALC80, Aluminum Electrolytic, 2,200 uF, 20%, 400 VDC, -40/+105°C



**Dimensions**

<b>D</b>	45mm +1mm
<b>L</b>	105mm +/-2mm
<b>S</b>	22.5mm +/-0.1mm
<b>LL</b>	6.3mm +/-1mm
<b>F</b>	2mm +/-0.1mm

**Packaging Specifications**

<b>Weight:</b>	225 g
<b>Packaging:</b>	Bulk, Bag

**General Information**

<b>Supplier:</b>	KEMET
<b>Series:</b>	ALC80
<b>Dielectric:</b>	Aluminum Electrolytic
<b>Description:</b>	Snap-In, Aluminum Electrolytic
<b>RoHS:</b>	Yes
<b>Lead:</b>	4 Pin
<b>Shelf Life:</b>	156 Weeks

**Specifications**

<b>Capacitance:</b>	2,200 uF
<b>Capacitance Tolerance:</b>	20%
<b>Voltage DC:</b>	400 VDC, 440 VDC (Surge)
<b>Temperature Range:</b>	-40/+105°C
<b>Rated Temperature:</b>	105°C
<b>Life:</b>	9000 Hrs (Rated Voltage And Ripple Current At 105C), 14000 Hrs (Rated Voltage at 105C)
<b>Resistance:</b>	60 mOhms (100Hz 20C), 32 mOhms (10kHz 20C)
<b>Ripple Current:</b>	7.24 Amps (100Hz 105C), 16.09 Amps (10kHz 105C)
<b>Leakage Current:</b>	2640 uA (5min 20°C)