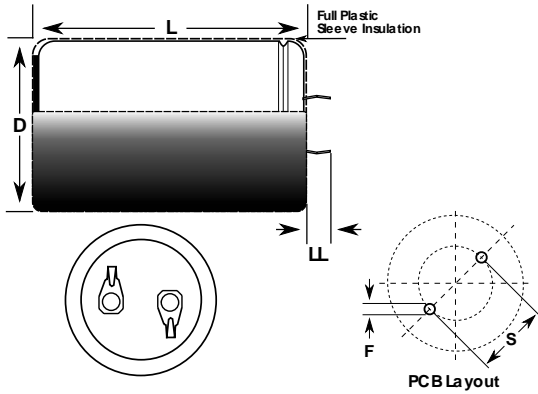


KEMET Part Number: ALC40A391EH450
(A571HK391M450A)

Capacitor, aluminum, 390 uF, +/-20% Tol, -40/+105C, 450V@105C



Dimensions (mm)		
Symbol	Dimension	Tolerance
D	40	+1/-0
L	60	+/-2
S	10	+/-0.1
LL	6.3	+/-1
F	2	+/-0.1

Packaging Specifications	
Package Kind:	Bulk

General Information	
Manufacturer:	KEMET
Part Type Description:	Snap-In Aluminum Electrolytic
Style:	Snap-in
Lead Type:	2 Pin

Specifications	
Capacitance:	390 uF
Tolerance:	+/-20%
Rated Temperature:	105C
Voltage @ rated temp:	450V
VDC Surge:	495VVDC
Life @ rated temp:	9000 h
RoHS:	Yes
Temperature Range:	-40/+105C
ESR at 100Hz @ room temp:	249 mOhm
Leakage Current:	527 uA
Leakage Condition:	5min/20c
Impedance @ 10kHz:	174 mOhm
Ripple 100Hz @ rated temp:	3.5 A
Ripple 10kHz @ rated temp:	8.04 A