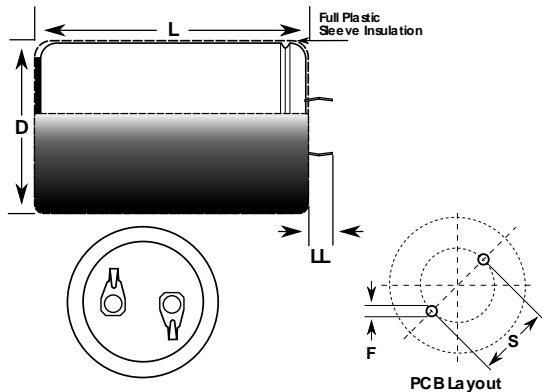


**KEMET Part Number: ALC40A332AD040**  
(A571BF332M040A)

Capacitor, aluminum, 3300 uF, +/-20% Tol, -40/+105C, 40V@105C



Dimensions (mm)		
Symbol	Dimension	Tolerance
D	22	+1/-0
L	40	+/-2
S	10	+/-0.1
LL	6.3	+/-1
F	2	+/-0.1

Packaging Specifications	
Package Kind:	Bulk
Package Quantity:	100

General Information	
Manufacturer:	KEMET
Part Type Description:	Snap-In Aluminum Electrolytic
Style:	Snap-in
Lead Type:	2 Pin

Specifications	
Capacitance:	3300 uF
Tolerance:	+/-20%
Rated Temperature:	105C
Voltage @ rated temp:	40V
VDC Surge:	46WVDC
Life @ rated temp:	5000 h
RoHS:	Yes
Temperature Range:	-40/+105C
Leakage Current:	396 uA
Leakage Condition:	5min/20c