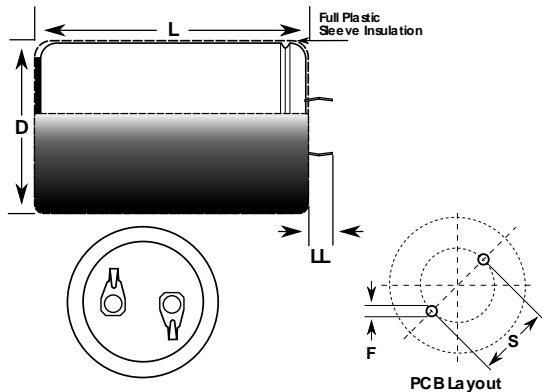


KEMET Part Number: ALC40A221CD400
(A571DF221M400A)

Capacitor, aluminum, 220 uF, +/-20% Tol, -40/+105C, 400V@105C



Dimensions (mm)

Symbol	Dimension	Tolerance
D	30	+1/-0
L	40	+/-2
S	10	+/-0.1
LL	6.3	+/-1
F	2	+/-0.1

Packaging Specifications

Package Kind:	Bulk
Package Quantity:	100

General Information

Manufacturer:	KEMET
Part Type Description:	Snap-In Aluminum Electrolytic
Style:	Snap-in
Lead Type:	2 Pin

Specifications

Capacitance:	220 uF
Tolerance:	+/-20%
Rated Temperature:	105C
Voltage @ rated temp:	400V
VDC Surge:	440VVDC
Life @ rated temp:	7000 h
RoHS:	Yes
Temperature Range:	-40/+105C
ESR at 100Hz @ room temp:	565 mOhm
Leakage Current:	264 uA
Leakage Condition:	5min/20c
Impedance @ 10kHz:	379 mOhm
Ripple 100Hz @ rated temp:	1.54 A
Ripple 10kHz @ rated temp:	3.33 A