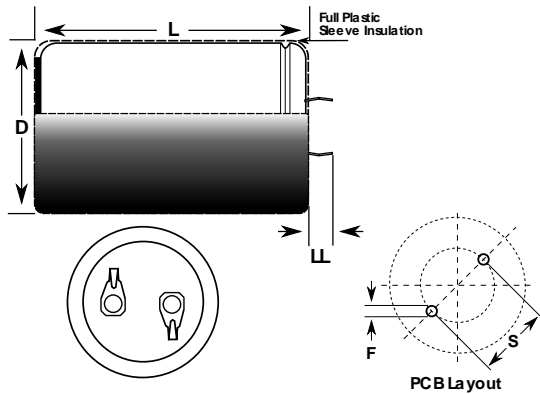


KEMET Part Number: ALC40A151BC350
(A571CE151M350A)

Capacitor, aluminum, 150 uF, +/-20% Tol, -40/+105C, 350V@105C



Dimensions (mm)		
Symbol	Dimension	Tolerance
D	25	+1/-0
L	35	+/-2
S	10	+/-0.1
LL	6.3	+/-1
F	2	+/-0.1

Packaging Specifications	
Package Kind:	Bulk
Package Quantity:	100

General Information	
Manufacturer:	KEMET
Part Type Description:	Snap-In Aluminum Electrolytic
Style:	Snap-in
Lead Type:	2 Pin

Specifications	
Capacitance:	150 uF
Tolerance:	+/-20%
Rated Temperature:	105C
Voltage @ rated temp:	350V
VDC Surge:	385VVDC
Life @ rated temp:	6000 h
RoHS:	Yes
Temperature Range:	-40/+105C
ESR at 100Hz @ room temp:	694 mOhm
Leakage Current:	158 uA
Leakage Condition:	5min/20c
Impedance @ 10kHz:	449 mOhm
Ripple 100Hz @ rated temp:	1.04 A
Ripple 10kHz @ rated temp:	2.46 A