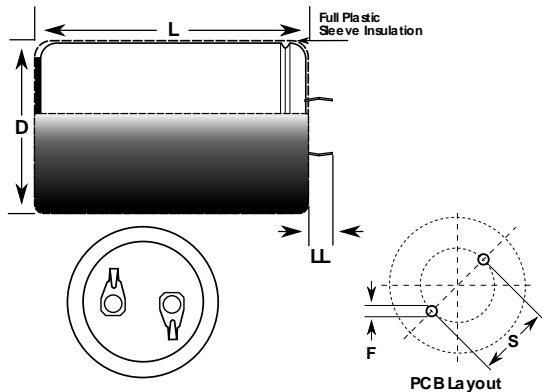


KEMET Part Number: ALC10A332DD100
(A521EF332M100A)

Capacitor, aluminum, 3300 uF, +/-20% Tol, -40/+85C, 100V@85C



Dimensions (mm)		
Symbol	Dimension	Tolerance
D	35	+1/-0
L	40	+/-2
S	10	+/-0.1
LL	6.3	+/-1
F	2	+/-0.1

Notes:
-Dimensions D and L include sleeving

General Information	
Manufacturer:	KEMET
Part Type Description:	Snap-In Aluminum Electrolytic
Style:	Snap-in
Lead Type:	2 Pin

Specifications	
Capacitance:	3300 uF
Tolerance:	+/-20%
Rated Temperature:	85C
Voltage @ rated temp:	100V
VDC Surge:	115WVDC
Life @ rated temp:	15000 h
RoHS:	Yes
Temperature Range:	-40/+85C
ESR at 100Hz @ room temp:	76 mOhm
Leakage Current:	1.98 mA
Leakage Condition:	5min/20c
Impedance @ 10kHz:	57 mOhm
Ripple 100Hz @ rated temp:	4.11 A
Ripple 10kHz @ rated temp:	5.03 A

Packaging Specifications	
Package Kind:	Bulk
Package Quantity:	100