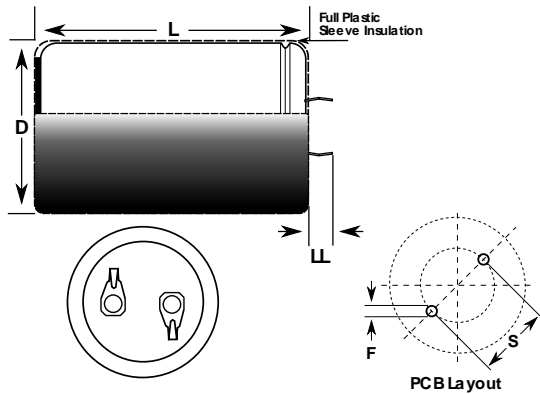


KEMET Part Number: ALC10A223ED040
(A521HF223M040A)

Capacitor, aluminum, 0.022 F, +/-20% Tol, -40/+85C, 40V@85C



Dimensions (mm)		
Symbol	Dimension	Tolerance
D	40	+1/-0
L	40	+/-2
S	10	+/-0.1
LL	6.3	+/-1
F	2	+/-0.1

Notes:
-Dimensions D and L include sleeving

General Information

Manufacturer:	KEMET
Part Type Description:	Snap-In Aluminum Electrolytic
Style:	Snap-in
Lead Type:	2 Pin

Specifications

Capacitance:	0.022 F
Tolerance:	+/-20%
Rated Temperature:	85C
Voltage @ rated temp:	40V
VDC Surge:	46WVDC
Life @ rated temp:	18000 h
RoHS:	Yes
Temperature Range:	-40/+85C
ESR at 100Hz @ room temp:	62 mOhm
Leakage Current:	5.28 mA
Leakage Condition:	5min/20c
Impedance @ 10kHz:	56 mOhm
Ripple 100Hz @ rated temp:	5.81 A
Ripple 10kHz @ rated temp:	5.92 A

Packaging Specifications

Package Kind:	Bulk
----------------------	------