



## ORDERING INFORMATION

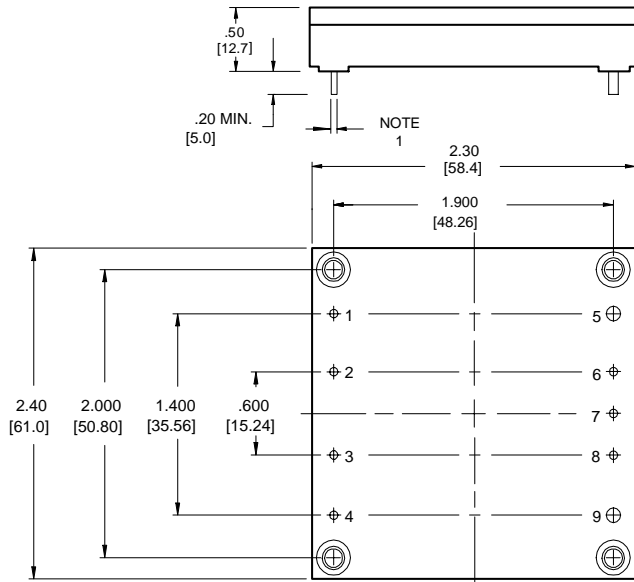
Input Voltage	Output Voltage	Model Number
48V	1.8V @ 10A	AK60C-048L-018F10
48V	2.0V @ 10A	AK60C-048L-020F10
48V	2.5V @ 10A	AK60C-048L-025F10
48V	3.3V @ 10A	AK60C-048L-033F10
48V	5.0V @ 10A	AK60C-048L-050F10
48V	12V @ 4.2A	AK60C-048L-120F04

**NOTES:**

Enable Function

"N" = negative logic enable (without "N" = positive enable)

## DIMENSIONS



Mounting Inserts  
M3 X .5 (4 places)

BOTTOM VIEW

## PIN ASSIGNMENTS

**Single Output**

1. -Vin
2. Case
3. Enable (on/off)
4. +Vin
5. -5V Rtn
6. - Sense
7. Trim
8. + Sense
9. +5V Out