

NEW

AK60C-48

100 Watts**AK60C-48 Industry Standard Series**

Total Power	100 Watts
Input Voltages	48V
# of Outputs	Single



SPECIAL FEATURES

- High Efficiency - (83% min) @ 5V
- -40°C to 100°C baseplate operating temperature (no derating).
- Low output ripple and noise
- High capacitive load limit on start-up
- Remote Sense Compensation
- High reliability
- Regulation to zero load
- Fixed frequency switching (500KHz)
- Enable (positive and negative) function

ENVIRONMENTAL

Operating Temperature (baseplate):
-40°C to +100°C

Storage Temperature: -55°C to +105°C

Overtemperature Protection: 110°C typical

MTBF: >1 million hours

SAFETY

UL	UL1950
CSA	CSA22.2-234 CSA22.2-950
VDE	VDE 0805 EN60950
CE	CE Mark

ELECTRICAL SPECIFICATIONS

Input

Input range 36 to 75VDC
Efficiency 83% @ 5Vo

Control

Voltage Adjust 85 to 115% Vo
Enable TTL compatible (positive and negative enable available)

Output

Load regulation 0.2% typical down to no load (output 5V and above)
10mV typical down to no load (output below 5V)

Line regulation 0.2% typical (output 5V and above)
10mV typical (output below 5V)

Noise/ripple 2% typical

Remote sense Up to 0.5V

Output voltage adjust range ±15% of nominal output

Transient response 10%max deviation with 25% to 75% full load (output 5V and above) 200mV (output below 5V) 500µS (max) recovery

Oversvoltage protection 130% nominal output (output 5V and above) 160% nominal output (2.2V output) 140% nominal output (3.3V output)

Current Limit..... 115% nominal output

NOTES

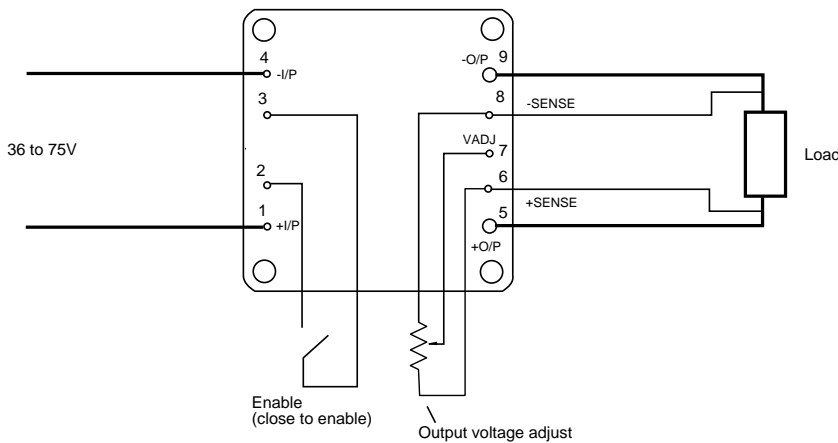
1. Nominal values apply with sense pins connected and other control pins unconnected.
2. All specifications subject to change without notice. Mechanical drawings are for reference only.

ORDERING INFORMATION

Input Voltage	Output Voltage	Output Current	Model Number	Input Voltage	Output Voltage	Output Current	Model Number
48V	2.2V	20A	AK60C-048L-022F20G (P)*	48V	12V	8A	AK60C-048L-120F08G (P)*
48V	3.3V	20A	AK60C-048L-033F20G (P)*	48V	24V	4A	AK60C-048L-240F04G (P)*
48V	5V	20A	AK60C-048L-050F20G (P)*				

Please contact Astec for information on other output voltages, power ranges and configurations.
 ° "P" suffix added for positive logic enable. Module (w/out 'P') operates with negative enable.

CONNECTIONS



PIN ASSIGNMENT

Input	Output	Control Pins
1. +ve	5. +ve	2. ENABLE
4. -ve	9. -ve	3. CASE
		6. + Sense
		7. V ADJ
		8. - Sense

AK60C-48

DIMENSIONS

