

AIR FOSC

Aerial Fiber Optic Splice Closure



AIR FOSC fiber optic splice closures are designed for aerial, strand-mount FTTH “tap” locations where drop cables are spliced to distribution cables.

Available in two sizes (A and B), these freebreathing closures combine TE’s GelGuard cable sealing gel technology and standard FOSC splice tray in a strong, rodent-proof outer body.

AIR FOSC closures are compatible with all loose buffer tube and central core tube cables containing either stranded or ribbon fiber, and feature a convenient flip-down basket for fiber splice tray storage.

The AIR FOSC “A” closure is the smaller of the two and facilitates in-line splicing with stored buffer tube or ribbon slack. The “A” size is available with sealed connectors (see FTerm AF closure data sheet). The “B” size is longer and can be used for either in-line splicing or taut sheath splicing where no slack storage is available.”

FEATURES AND BENEFITS

- Free Breathing
- Gel-Seal Cable Sealing
- In-Line and Taut Sheath Capabilities
- Compatible with most cable types.
- Outer body can be completely removed for 360 degree splice access.
- Re-useable gel end pieces open and close easily for adding or removing drop cables providing efficient cable installation with no mess.
- Six cable ports accommodate up to 18 cables and provide flexibility for a variety of applications.
- Accommodates standard FOSC A or B splice trays (depending on model) common with other FOSC splice closures.
- Removable splice tray holder available for convenient aerial splicing.
- Optional adjustable hanger bracket or extension brackets for added flexibility.
- Compatible with TE’s CWDM modules and optical splitter trays for the changing needs of optical networks.

AIR FOSC

Aerial Fiber Optic Splice Closure

ORDERING INFORMATION

Catalog Number
AIR-FOSC-X-XXX-XX-XXX

Closure size

A-A	A Size Splice Trays
B-B	B Size Splice Trays

Style

GEN	Generic: Plastic Frame - B Size Metal Frame - A
TSH	Taut Sheath, Metal - B Size Only

Tray Style

12-12	Splice Capable (standard tray style)
24-24	24 Splice Capable (standard tray style)
RB	Ribbon Tray
NT	No Tray

Miscellaneous

S	Standard Hanger Bracket
X	Adjustable Hanger bracket (metal frame only) use Extension bracket for Plastic Frame

Grounding

G	Grounding
N	No Ground

Number of Trays

0-4	With protection enclosure
0-2	With RB TTray

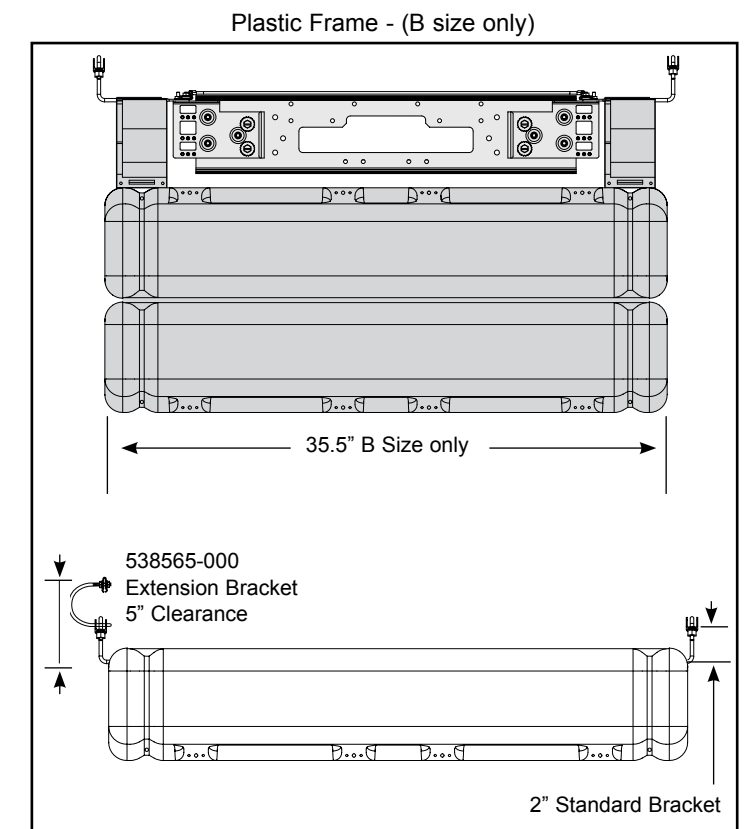
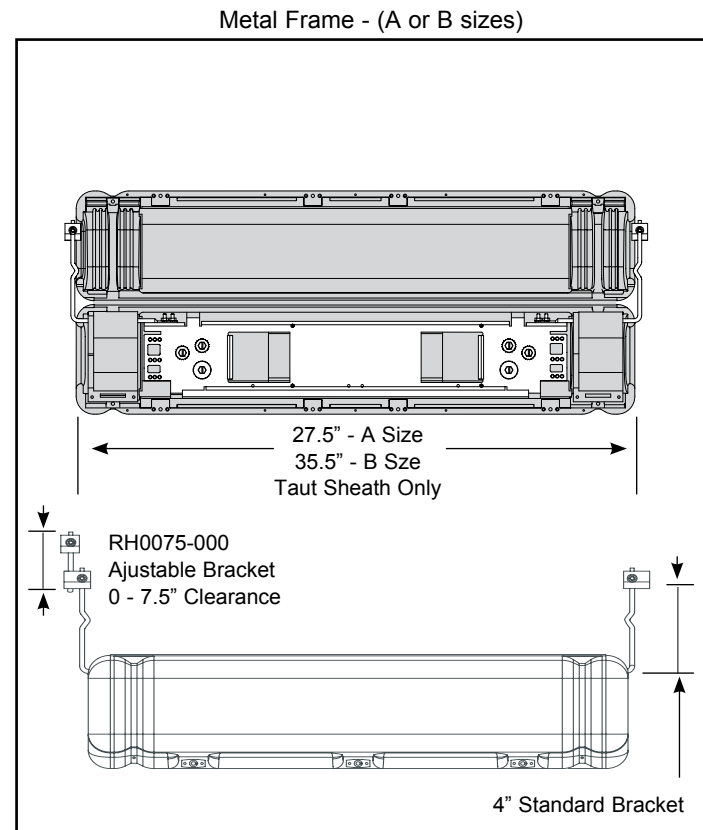
AIR FOSC and FTerm AF Closure Accessories

Accessory	Ordering Description	Part Number
Adjustable Hanger Bracket Kit Hanger brackets allow AIR FOSC FTerm AF closures to be lowered or raised relative to the strand (metal frame)	FOSC-ACC-AIRFOSCADJSTBKT	RH0075-000
Extension Bracket (plastic frame - 20/kit) Closure Extension (plastic frame)	FOSC-ACC-AIRFOSC-EXTNBKT AIR-FOSC-B-EXT	538565-000 794321-000
Tray Holder Kit Convenient tray holder for use during installation, option for metal frame only	FOSC-ACC-AIRFOSC-TRAYHLDR	E10170-000
Tray Accessory Kits (2/kit)	FOSC-ACC-A-TRAY-12	497817-000
12 & 24 splice count A splice trays	FOSC-ACC-A-TRAY-24	429567-000
12 splice count B splice tray for TSH	FOSC-ACC-B-TRAY-12	898849-000
24 splice count B splice tray for TSH	FOSC-ACC-B-TRAY-24	863927-000
Ribbon Tray Kit Ribbon tray for use in AIR FOSC, FTerm AF, and other A and B closures	FOSC-ACC-A/B-TRAY-12-RBN	709972-000
Strength Member Tie Downs (25/kit) Extra strength member tie downs for AIR FOSC and FTerm AF Closure kits	FOSC-ACC-AIRFOSC-SM-KIT	RH0076-000

Closure bodies for A and B sizes are rodent-proof and withstand heavy impact forces. It is also fully removable for 360° access to the splice and slack storage areas. Plastic frame version is extendible for taut sheath and repair splices.

AIR FOSC

FOSC Optical Grounding Wire Closure



DATA SHEET

Contact us:

P.O. Box 1101
Minneapolis, Minnesota
USA 55440-1101
Tel: 1-800-366-3891 x73000
1-952-917-3000
Fax: 1-952-917-3237

www.te.com/TelecomNetworks



AIR FOSC, FTerm, FOSC, GelGuard, TE Connectivity, TE connectivity (logo), Tyco Electronics, TE (logo), are trademarks of the TE Connectivity Ltd. family of companies and its licensors.

While TE Connectivity has made every reasonable effort to ensure the accuracy of the information in this document, TE Connectivity does not guarantee that it is error-free, nor does TE Connectivity make any other representation, warranty or guarantee that the information is accurate, correct, reliable or current. TE Connectivity reserves the right to make any adjustments to the information contained herein at any time without notice. TE Connectivity expressly disclaims all implied warranties regarding the information contained herein, including, but not limited to, any implied warranties of merchantability or fitness for a particular purpose. The dimensions in this document are for reference purposes only and are subject to change without notice. Specifications are subject to change without notice. Consult TE Connectivity for the latest dimensions and design specifications.

Tyco Electronics Corporation, a TE Connectivity Ltd. Company. All Rights Reserved.

317452AE 7/14 Revision © 2013, 2008, 2005 (F202.11/08)