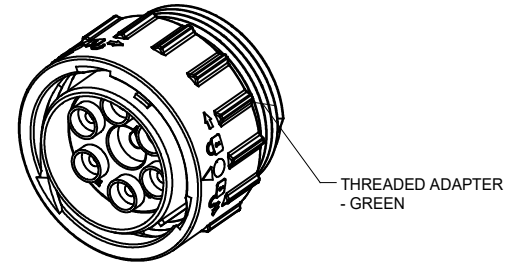
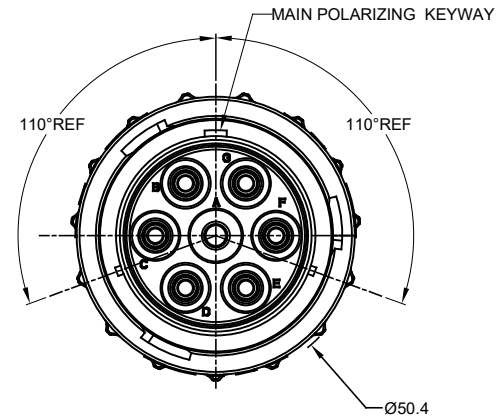
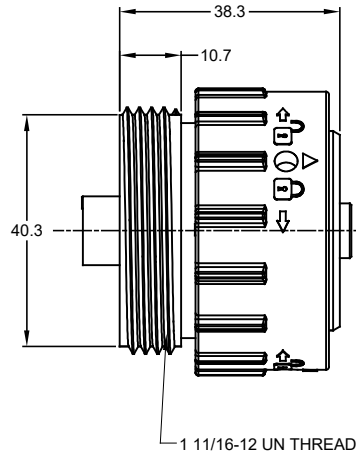
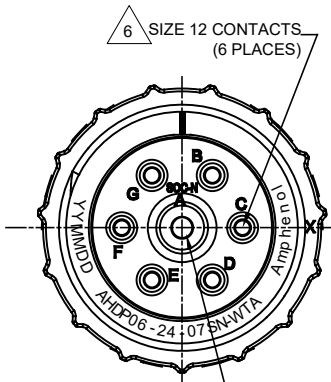


| REVISIONS | | | | | |
|-----------|--------|---|---------|--------|-------|
| REV | ECO | DESCRIPTION | DATE | BY | APPR |
| A1 | | RELEASE NEW DRAWING | 13NOV15 | SULLEN | TOMMY |
| A2 | C0765S | UPDATE SPECIFICATIONS | 23NOV17 | ROOKIE | TOMMY |
| A3 | C0870S | Change the appearance of the retaining ring | 26JUN18 | KASOON | TOMMY |



NOTES: UNLESS OTHERWISE SPECIFIED

1. MATERIAL:
HOUSING: THERMOPLASTIC; BLACK
SEAL: SILICONE RUBBER
2. MODIFICATIONS: THREADED ADAPTER
3. SPECIFICATIONS:
 - 3.1 OPERATING TEMPERATURE: -55°C TO +125°C.
 - 3.2 DIELECTRIC WITHSTANDING VOLTAGE: LESS THAN 2 MILLIAMPS CURRENT LEAKAGE @ 5000 VOLTS AC.
 - 3.3 INSULATION RESISTANCE: 1000 MEGOHM MIN @ 25°C.
 - 3.4 MOISTURE RESISTANCE: IP67&IP69K (MATED CONDITION).
 - 3.5 MATING CYCLE DURABILITY: 100 CYCLES
 - 3.6 RoHS COMPLIANT
4. MATING PART: AHDPO4-24-07P* (* = SEAL TYPE)
5. ALL DIMENSIONS ARE FOR REFERENCE USE ONLY.

6 CONTACT SIZE AND WIRE RANGE:

| CONTACT SIZE | MIN. INSUL O.D. | MAX. INSUL O.D. | TYPICAL WIRE RANGE | CURRENT RATING |
|--------------|-------------------|-------------------|--------------------|----------------|
| 12 | 3.43 mm (.135 in) | 4.32 mm (.170 in) | 10-14 AWG | 25 AMPS |
| 8 | 4.83 mm (.190 in) | 6.10 mm (.240 in) | 7-10 AWG | 80 AMPS |

TITLE: RECP-24-07 POS SOCKET CONT. STANDARD DIA. SEAL, AHDP DWG NO: AHDPO6-24-07SN-WTA REV: A3 SH: 1 OF: 1

| AHDPO6-24-07SN-WTA | | DESCRIPTION | | | | | | | | | | |
|---|-----------------|--|--------------------------|------------|--|------|---------------|---------------|---------|-----------|-----------------|---------|
| QUANTITY | PART NUMBER | MATERIALS LIST | | | | | | | | | | |
| | | <table border="1"> <tr> <th colspan="2">SIGNATURES</th> <th>DATE</th> </tr> <tr> <td>DRAWN: ROOKIE</td> <td>CHECKED: CRON</td> <td>26JUN18</td> </tr> <tr> <td>ENGINEER:</td> <td>APPROVAL: TOMMY</td> <td>26JUN18</td> </tr> </table> | | SIGNATURES | | DATE | DRAWN: ROOKIE | CHECKED: CRON | 26JUN18 | ENGINEER: | APPROVAL: TOMMY | 26JUN18 |
| SIGNATURES | | DATE | | | | | | | | | | |
| DRAWN: ROOKIE | CHECKED: CRON | 26JUN18 | | | | | | | | | | |
| ENGINEER: | APPROVAL: TOMMY | 26JUN18 | | | | | | | | | | |
| <p>UNLESS OTHERWISE SPECIFIED:</p> <p>1) All dimensions are in metric (mm).</p> <p>2) Tolerances are as follows:</p> <p>1 PL DEC ±0.30 Fractions ±1/64</p> <p>2 PL DEC ±0.15 Angles ±1°</p> <p>3 PL DEC ±0.08</p> <p>3) Note reference = </p> | | <p>Amphenol</p> <p>Sine Systems - www.amphenol-sine.com 44724 Morley Drive Clinton Township, MI 48036</p> | | | | | | | | | | |
| MATERIAL SPECIFICATIONS: | | CUSTOMER: PLUG,24-07 POS, SOCKET CONTACT STANDARD DIA. SEAL, AHDP SERIES | | | | | | | | | | |
| PROCESS SPECIFICATIONS: | | THIS DRAWING IS SUPPLIED FOR INFORMATION ONLY. DESIGN FEATURES, SPECIFICATIONS AND PERFORMANCE DATA SHOWN HEREON ARE THE PROPERTY OF THE AMPHENOL CORPORATION. NO RIGHTS OF REPRODUCTION ARE IMPLIED. ALL DIMENSIONS ARE SUBJECT TO NORMAL MANUFACTURING VARIATIONS. | | | | | | | | | | |
| NEXT ASSY: | | SIZE: B C- | TYPE: AHDPO6-24-07SN-WTA | | | | | | | | | |
| | | SCALE: NONE | REVISION: A3 | | | | | | | | | |
| | | SHEET 1 OF 1 | | | | | | | | | | |