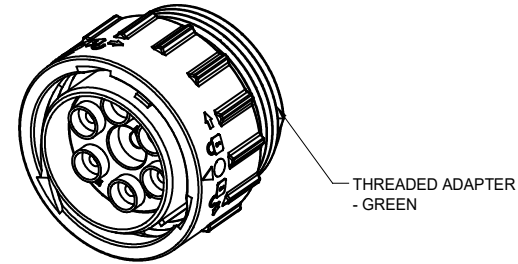
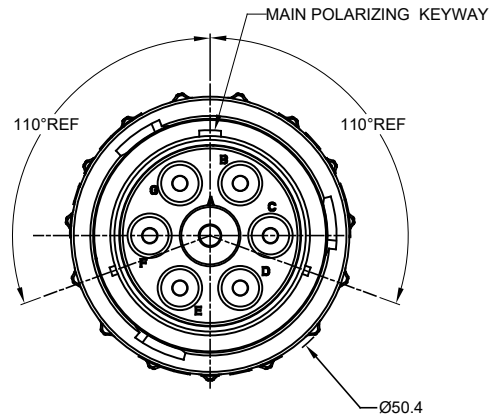
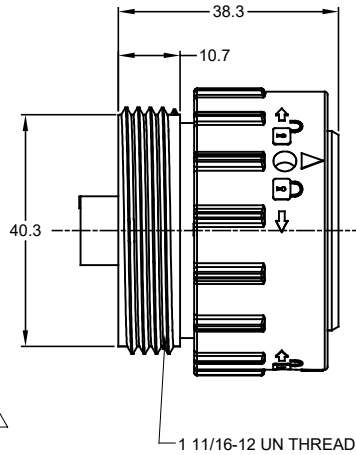
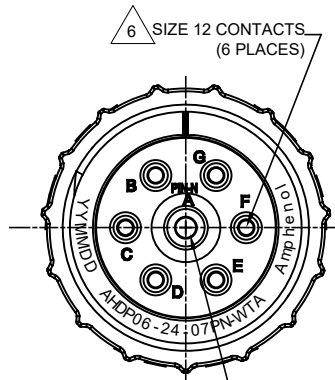


REVISIONS				
REV	ECO	DESCRIPTION	DATE	BY APPR
A1		RELEASE NEW DRAWING	13NOV15	SULLEN TOMMY
A2	C0765S	UPDATE SPECIFICATIONS	23NOV17	ROOKIE TOMMY
A3	C0870S	Change the appearance of the retaining ring	26JUN18	KASOON TOMMY



NOTES: UNLESS OTHERWISE SPECIFIED

1. MATERIAL:  
HOUSING: THERMOPLASTIC; BLACK  
SEAL: SILICONE RUBBER
2. MODIFICATIONS: THREADED ADAPTER
3. SPECIFICATIONS:
  - 3.1 OPERATING TEMPERATURE: -55°C TO +125°C.
  - 3.2 DIELECTRIC WITHSTANDING VOLTAGE: LESS THAN 2 MILLIAMPS CURRENT LEAKAGE @ 5000 VOLTS AC.
  - 3.3 INSULATION RESISTANCE: 1000 MEGOHM MIN @ 25°C.
  - 3.4 MOISTURE RESISTANCE: IP67&IP69K ( MATED CONDITION ).
  - 3.5 MATING CYCLE DURABILITY: 100 CYCLES
  - 3.6 RoHS COMPLIANT
4. MATING PART: AHP04-24-07S\* (\* = SEAL TYPE )
5. ALL DIMENSIONS ARE FOR REFERENCE USE ONLY.

6 CONTACT SIZE AND WIRE RANGE:

CONTACT SIZE	MIN. INSUL O.D.	MAX. INSUL O.D.	TYPICAL WIRE RANGE	CURRENT RATING
12	3.43 mm (.135 in)	4.32 mm (.170 in)	10-14 AWG	25 AMPS
8	4.83 mm (.190 in)	6.10 mm (.240 in)	7-10 AWG	80 AMPS

AHP06-24-07PN-WTA		DESCRIPTION	
QUANTITY	PART NUMBER	MATERIALS LIST	
		<b>Amphenol</b> Sine Systems - www.amphenol-sine.com 44724 Morley Drive Clinton Township, MI 48036	
UNLESS OTHERWISE SPECIFIED: 1) All dimensions are in metric (mm). 2) Tolerances are as follows: 1 PL DEC ±0.30 2 PL DEC ±0.15 3 PL DEC ±0.08 3) Note reference =		SIGNATURES      DATE DRAWN: KASOON      26JUN18 CHECKED: CRION      26JUN18 ENGINEER: APPROVAL: TOMMY      26JUN18	CUSTOMER: THIS DRAWING IS SUPPLIED FOR INFORMATION ONLY. DESIGN FEATURES, SPECIFICATIONS AND PERFORMANCE DATA SHOWN HEREON ARE THE PROPERTY OF THE AMPHENOL CORPORATION. NO RIGHTS OF REPRODUCTION ARE IMPLIED. ALL DIMENSIONS ARE SUBJECT TO NORMAL MANUFACTURING VARIATIONS.
MATERIAL SPECIFICATIONS:		PLUG.24-07 POS, PIN CONTACT STANDARD DIA. SEAL, AHPD SERIES	SCALE: NONE SHEET 1 OF 1
PROCESS SPECIFICATIONS:		SIZE: B C- TYPE: AHPD06-24-07PN-WTA DWG NO: A3	REVISION: A3
NEXT ASSY:			

TITLE: RECP. 24/7 POS. PIN CONT. STANDARD DIA. SEAL, AHPD  
 DWG NO: AHPD06-24-07PN-WTA  
 REV: A3  
 SH: 1  
 OF: 1