

Surface Mount 1575.42MHz SAW Filter

AFS1575.42S4

Moisture Sensitivity Level (MSL) – This product is Hermetically Sealed and not Moisture Sensitive - MSL = N/A: Not Applicable



RoHS Compliant



3.0 x 3.0 x 1.3mm

FEATURES:

- Small package 3.0 x 3.0 x 1.5mm
- Low Insertion Loss
- Excellent Attenuation Bandwidth
- 50ohm termination impedance
- High input power rating 10dBm

APPLICATIONS:

- GPS
- RF devices

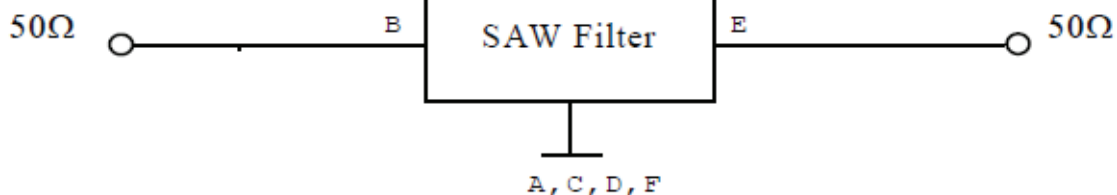
ELECTRICAL SPECIFICATIONS:

Item	Value
Operating Temperature Range	-40°C to + 85°C
Storage Temperature Range	-50°C to + 100°C
DC Permissive Voltage	0V DC max.
Maximum Input Power	10dBm

Parameters	Minimum	Typical	Maximum	Units	Notes
Center Frequency (f_c)	-----	1575.42	-----	MHz	
Insertion Loss (IL)	-----	1.5	2.0	dB	1574.22 ~ 1576.62MHz
Amplitude Ripple	-----	0.15	1.0	dB	1574.22 ~ 1576.62MHz
VSWR	-----	1.1	2.0		1574.22 ~ 1576.62MHz
Stop-band Attenuation (reference level from 0dB)	37	40	-----	dB	DC ~ 1382 MHz
	40	47	-----		1382 ~ 1397 MHz
	40	45			1397 ~ 1478 MHz
	40	47	-----		1478 ~ 1487 MHz
	30	52	-----		1487 ~ 1500 MHz
	30	49	-----		1625 ~ 1640 MHz
	38	42	-----		1640 ~ 2000MHz
	33	38.5	-----		2000 ~ 3000MHz
Source Impedance (Z_S)	-----	50	-----	Ω	
Load Impedance (Z_L)	-----	50	-----	Ω	

TEST CIRCUIT

HP Network analyzer



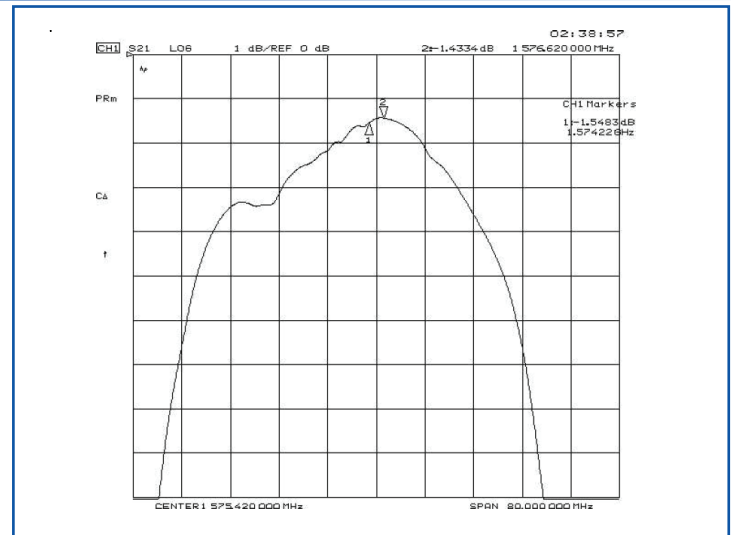
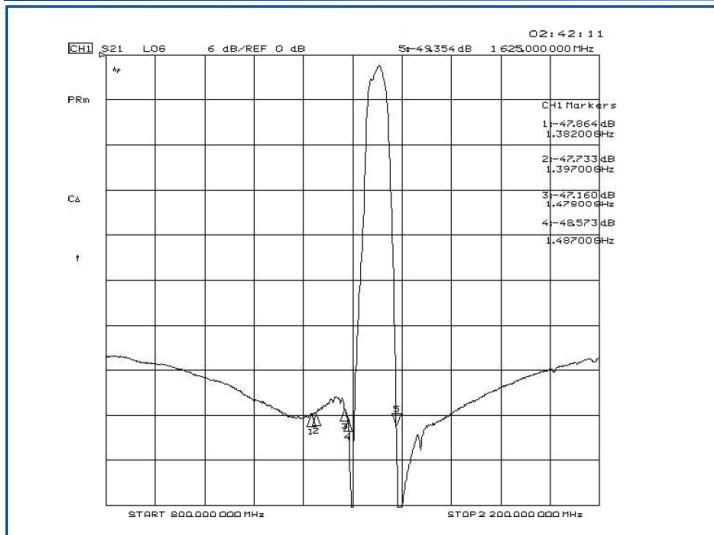
Surface Mount 1575.42MHz SAW Filter

AFS1575.42S4

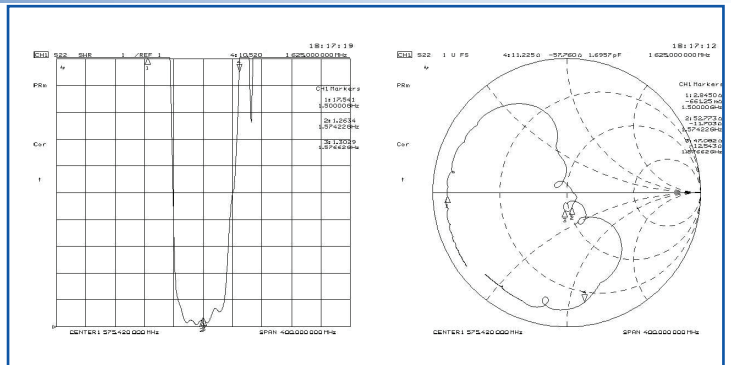
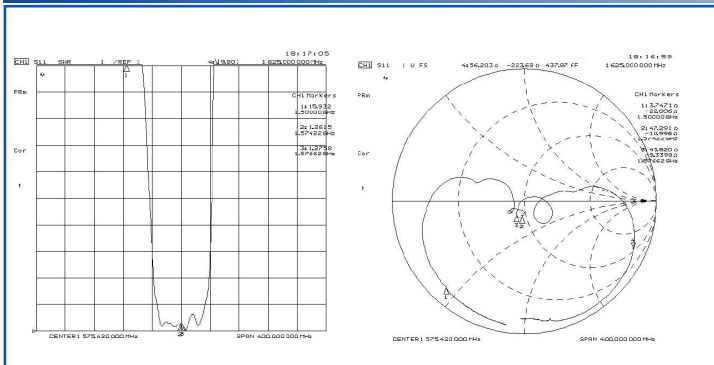


3.0 x 3.0 x 1.3mm

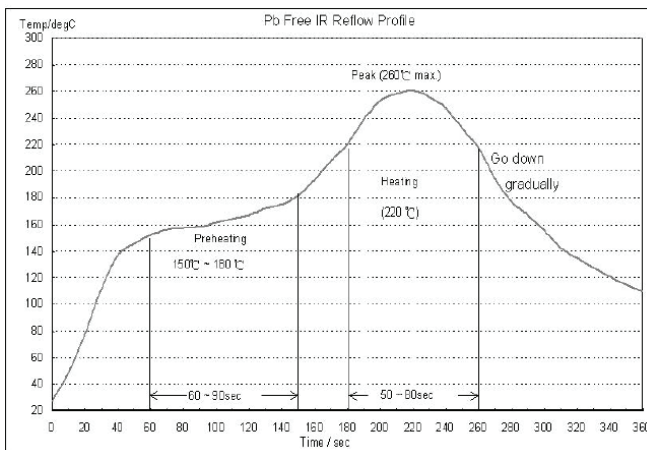
FREQUENCY CHARACTERISTICS:



REFLECTIONS FUNCTIONS:



REFLOW PROFILE:



1. Preheating shall be fixed at 150~180°C for 60~90 seconds.
2. Ascending time to preheating temperature 150°C shall be 30 seconds min.
3. Heating shall be fixed at 220°C for 50~80 seconds and at 250±10°C peak (max.10sec).



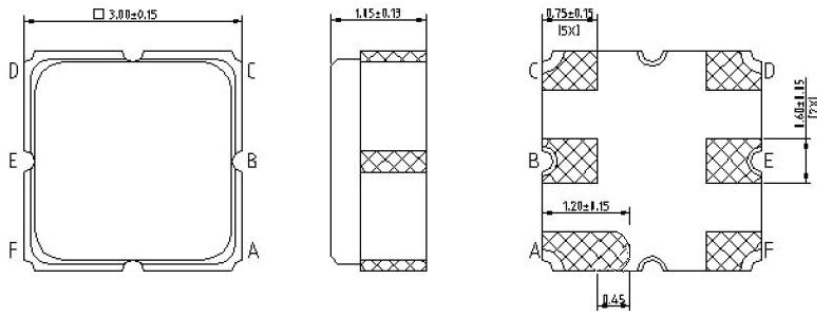
Surface Mount 1575.42MHz SAW Filter

AFS1575.42S4



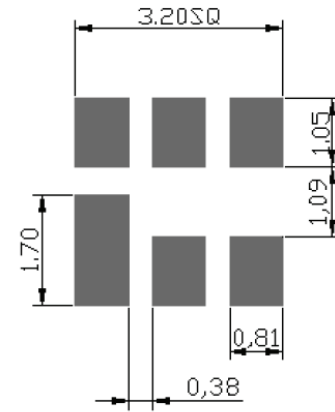
3.0 x 3.0 x 1.3mm

OUTLINE DIMENSIONS:



#B : Input
 #E : Output
 #A、C、D、F : Ground
 Unit : mm

Recommended Land Pattern

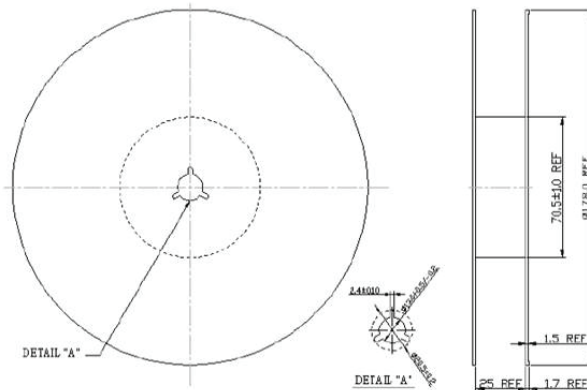
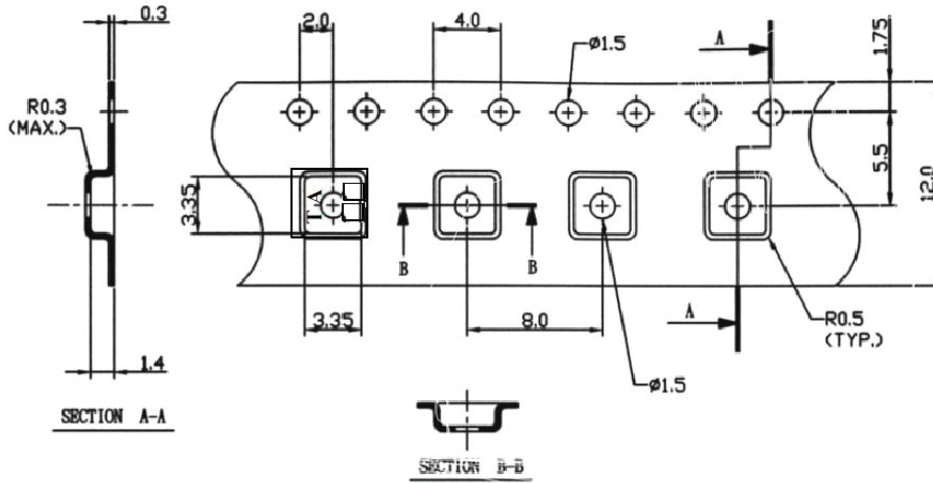


Dimensions: mm

TAPE & REEL:

Effective date: 8/15/2011

Packaging: 1,000pcs/reel



Dimensions: mm

Surface Mount 1575.42MHz SAW Filter

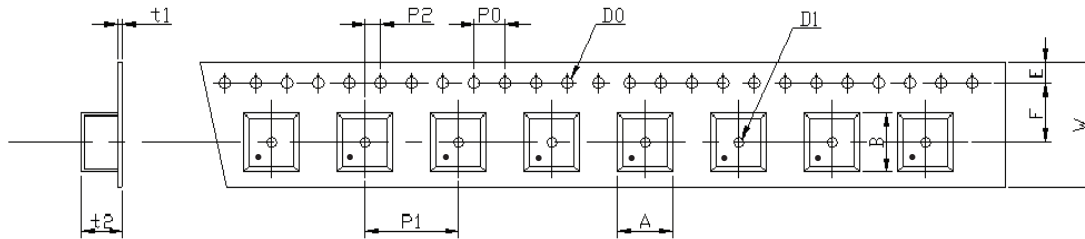
AFS1575.42S4



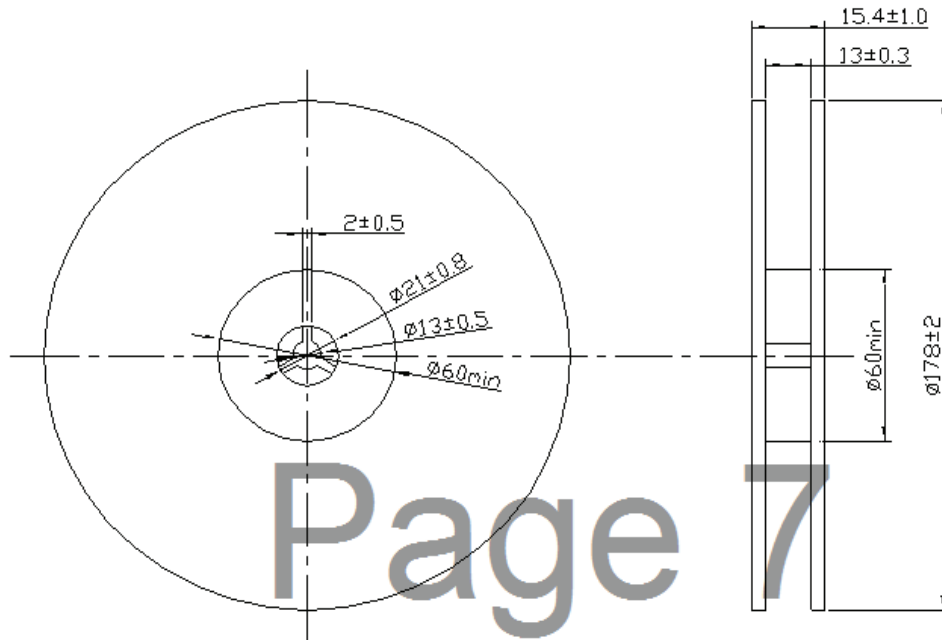
3.0 x 3.0 x 1.3mm

TAPE & REEL:

Prior to 8/15/2011



W	F	E	P0	P1	P2
12±0.3	5.5±0.1	1.75±0.1	4±0.2	4±0.1	2±0.2
D0	D1	t1	t2	A	B
Φ1.5±0.1	Φ1.5±0.25	0.31 max.	1.7 max.	3.3 max.	3.3 max.



Dimensions: mm

Page 7

ATTENTION: Abracon Corporation's products are COTS – Commercial-Off-The-Shelf products; suitable for Commercial, Industrial and, where designated, Automotive Applications. Abracon's products are not specifically designed for Military, Aviation, Aerospace, Life-dependant Medical applications or any application requiring high reliability where component failure could result in loss of life and/or property. For applications requiring high reliability and/or presenting an extreme operating environment, written consent and authorization from Abracon Corporation is required. Please contact Abracon Corporation for more information.

ABRACON IS
ISO9001:2008
CERTIFIED



Visit www.abracon.com for Terms & Conditions of Sale **Revised: 09.21.12**
30332 Esperanza, Rancho Santa Margarita, California 92688
tel 949-546-8000 | fax 949-546-8001 | www.abracon.com