

433 MHz – Automotive Grade External Whip Antenna

AEACAC053010Z-S433

Request Samples



Check Inventory



53.4 x Ø10.4 mm
RoHS/RoHS II Compliant
MSL Level = 1

Features

- Low Frequency of 433 MHz
- Small Profile
- Straight / Right Angle Mount
- VSWR \leq 2.0
- Gain ~ 2 dBi
- Input power of 10 W

Applications

- Automotive
- IoT & M2M
- ISM
- LoRa / SigFox
- RFID
- Remote Technology/Monitoring
- Smart Meters
- Medical Devices

Electrical Specifications

Parameter	Specification			Unit
	Min	Typ	Max	
Operating Frequency		433		MHz
Bandwidth		CF \pm 5		MHz
VSWR			2	
Peak Gain		2		dBi
Polarization		Linear		
Impedance		50		Ω
Input Power			10	W

Mechanical Specifications

Parameter	Specification
Mounting Type	Connector
Connector	SMA (Male)



5101 Hidden Creek Ln Spicewood TX 78669
Phone: 512-371-6159 | Fax: 512-351-8858
For terms and conditions of sales, please visit:
www.abracon.com

REVISED: 02-03-20

ABRACON IS
ISO9001-2015
CERTIFIED

433 MHz – Automotive Grade External Whip Antenna

AEACAC053010Z-S433

Request Samples



Check Inventory

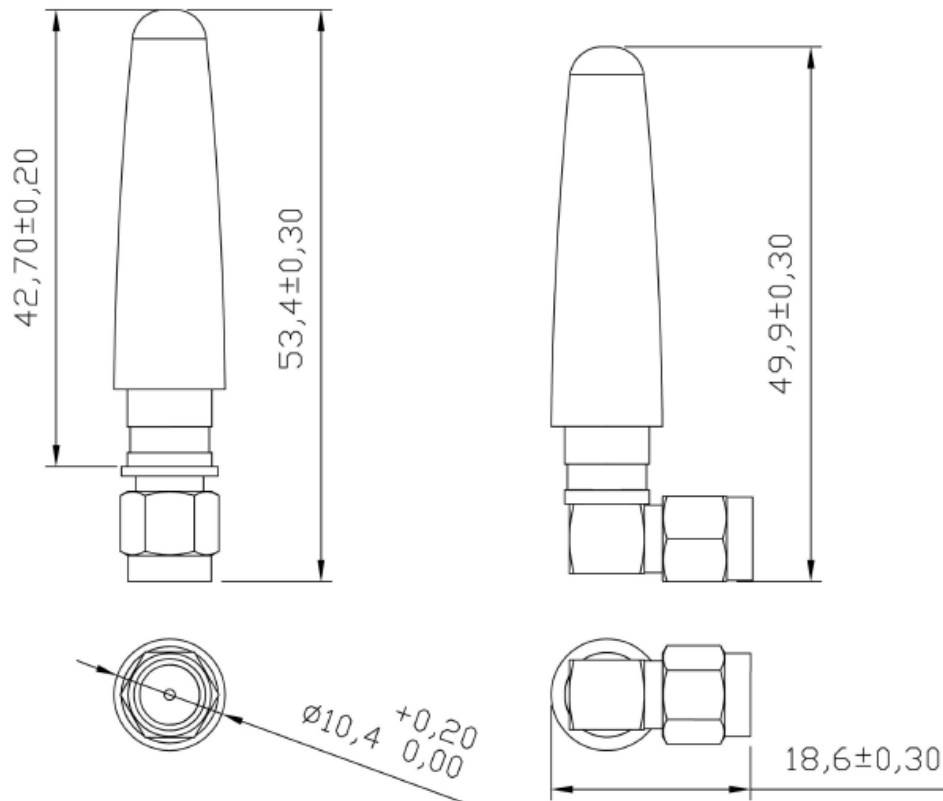


53.4 x Ø10.4 mm
RoHS/RoHS II Compliant
MSL Level = 1

Environmental Specification

Parameter	Specification
Operating Temperature	-40°C to +125°C
RoHS Compliance	Yes
PB Free	Yes
MSL	1
ESD Sensitive	No

Product Dimension



Unit : mm

433 MHz – Automotive Grade External Whip Antenna

AEACAC053010Z-S433

Request Samples



Check Inventory

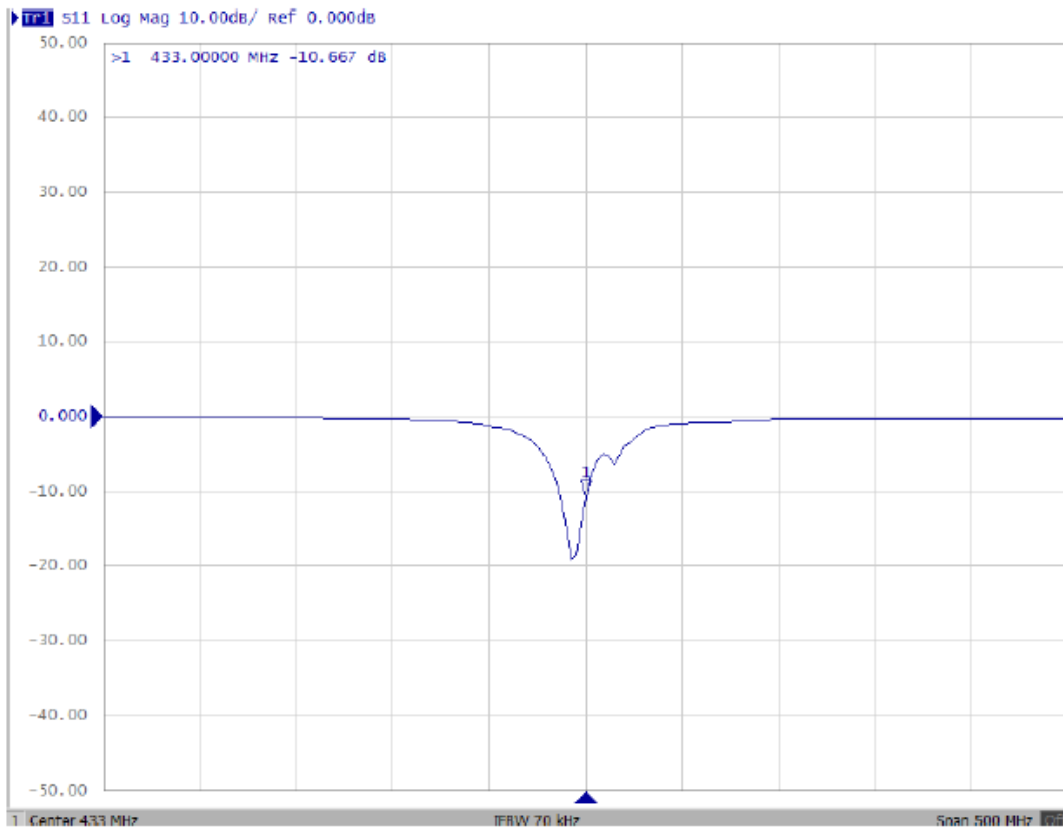


53.4 x Ø10.4 mm
RoHS/RoHS II Compliant
MSL Level = 1

Product Image



Test Measurement – Return Loss



433 MHz – Automotive Grade External Whip Antenna

AEACAC053010Z-S433

Request Samples



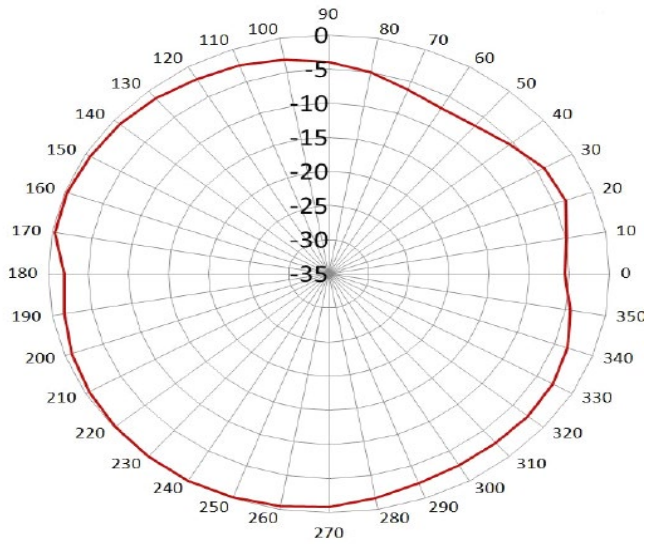
Check Inventory



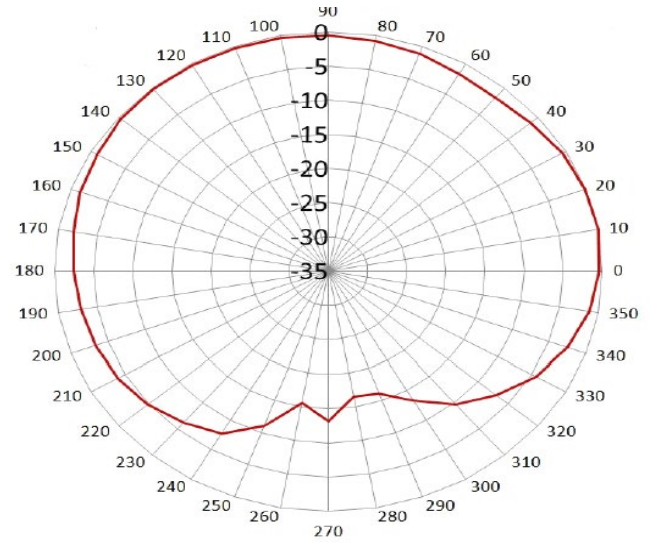
53.4 x Ø10.4 mm
RoHS/RoHS II Compliant
MSL Level = 1

Radiation Characteristics

Horizontal Plane



Vertical Plane



433 MHz – Automotive Grade External Whip Antenna

AEACAC053010Z-S433

Request Samples



Check Inventory



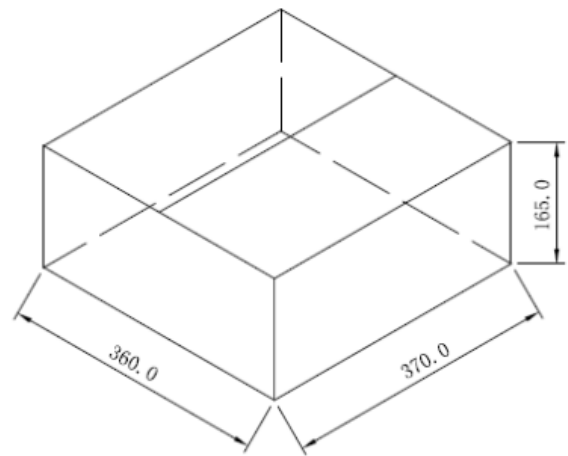
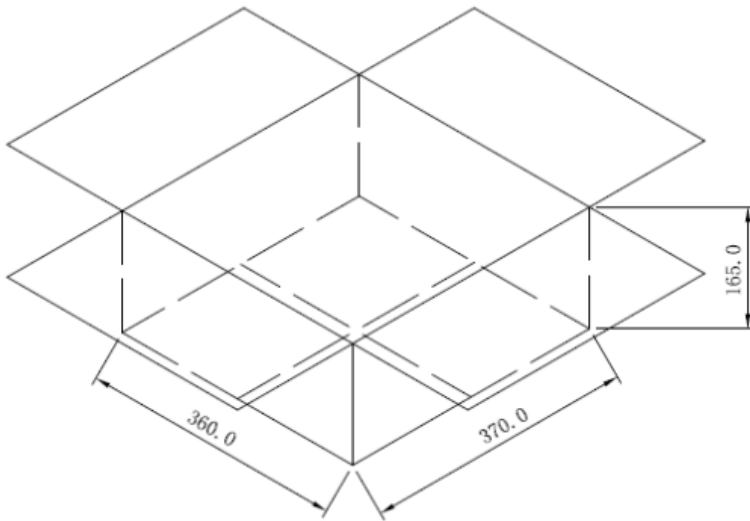
53.4 x Ø10.4 mm
RoHS/RoHS II Compliant
MSL Level = 1

Packaging Information

Number of antennas / carton : 1000

Dimension of the carton : 370 x 360 x 165 mm

Weight of the carton : 8 kg



ATTENTION: Abracon LLC's products are COTS – Commercial-Off-The-Shelf products; suitable for Commercial, Industrial and, where designated, Automotive Applications. Abracon's products are not specifically designed for Military, Aviation, Aerospace, Life-dependent Medical applications or any application requiring high reliability where component failure could result in loss of life and/or property. For applications requiring high reliability and/or presenting an extreme operating environment, written consent and authorization from Abracon LLC is required. Please contact Abracon LLC for more information.



5101 Hidden Creek Ln Spicewood TX 78669
Phone: 512-371-6159 | Fax: 512-351-8858
For terms and conditions of sales, please visit:
www.abracon.com

REVISED: 02-03-20

ABRACON IS
ISO9001-2015
CERTIFIED