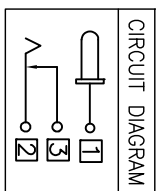
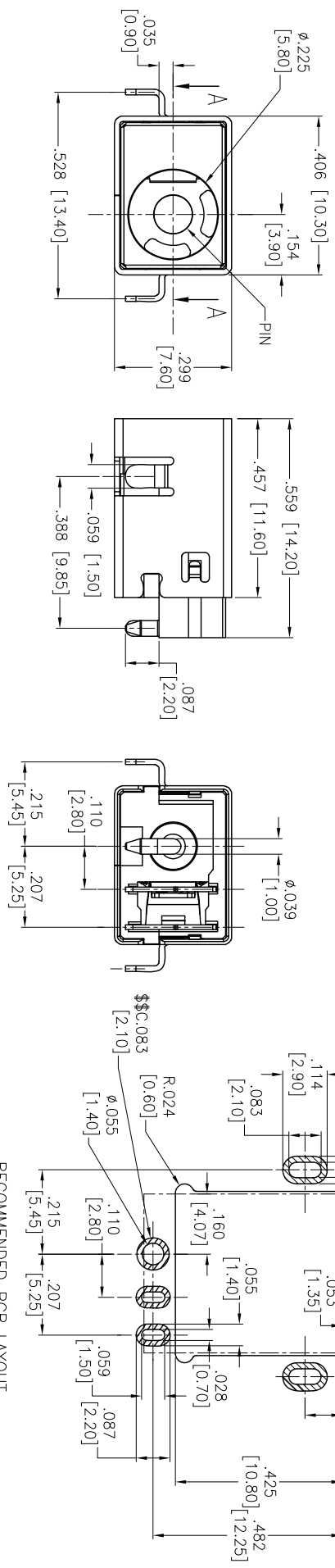
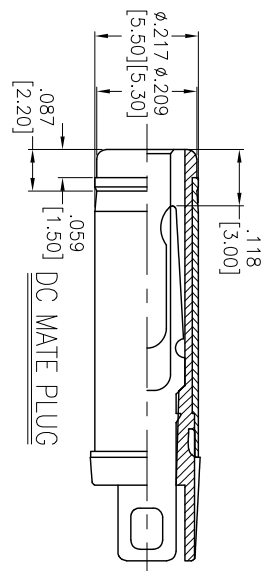
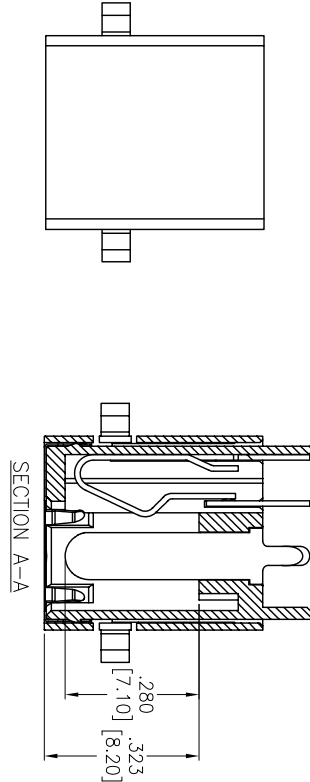


Rev	AWO #	Description	Date	Appr
-		RELEASED	11/16/12	

APPROVED: \_\_\_\_\_ TITLE: \_\_\_\_\_  
 DATE: \_\_\_\_\_



PACKAGED ON TAPE & REEL

ADAM P/N	Dim X
ADC-102-1-T/R	Ø.079 [2.00]
ADC-102-2-T/R	Ø.098 [2.50]

**SPECIFICATIONS:**  
 Material: Insulator: Hi-temp thermoplastic, rated UL 94V-0  
 Insulator color: Black  
 Grounding: Stainless Steel  
 Pin: Copper Alloy, Gold plated  
 Terminal: Copper Alloy, Silver plated  
 Spring: Copper Alloy, Silver plated  
 Electrical:  
 Operating voltage: 20 VDC max.  
 Current rating: 7 Amp max.  
 Contact resistance: 30 mohms max. initial  
 Insulation resistance: 100 Mohms min.  
 Dielectric withstanding voltage: 500 VAC for 1 minute  
 Temperature Rating:  
 Operating temperature: -20°C to +70°C  
 Environmental:  
 Lead free, RoHS compliant

UNLESS OTHERWISE SPECIFIED  
 ALL DIMENSIONS ARE INCHES [MM]  
 TOLERANCES: EXCEPT AS NOTED  
 INCHES HOLEES

.X	± .10	ØXX	± .10
.XX	± .020	ØXXX	± .015
.XXX	± .015	ØXXXX	± .010

**ADAM TECH**  
 909 Railway Avenue, Union, NJ 07083  
 Phone: 908-687-5000 Fax: 908-687-5710

DC POWER JACK, 2.00mm, 2.50mm CENTER PIN

UNLESS OTHERWISE SPECIFIED  
 ALL DIMENSIONS ARE INCHES [MM]  
 TOLERANCES: EXCEPT AS NOTED  
 INCHES HOLEES

.X	± .10	ØXX	± .10
.XX	± .020	ØXXX	± .015
.XXX	± .015	ØXXXX	± .010



APPROVALS	DATE	TITLE	SIZE	PART NO.	REV.
DRAWN AY	11/16/12	DC POWER JACK, 2.00mm, 2.50mm CENTER PIN	X	ADC-102-X-T/R	-
CHECKED GH	11/16/12				
APPROVED					