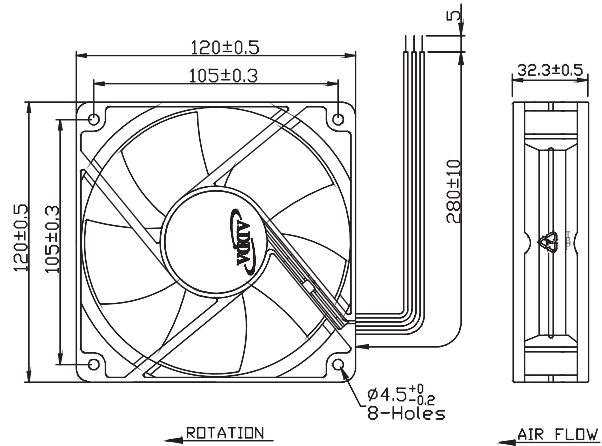
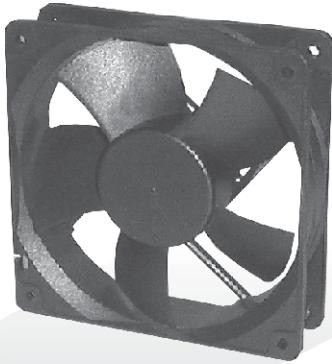




# AD12032 SERIES

## External Dimensions



Frame: Plastic(UL:94V-0)  
 Impeller: Plastic(UL:94V-0)  
 Lead wire: UL1007AWG24

## Specifications(Nominal)

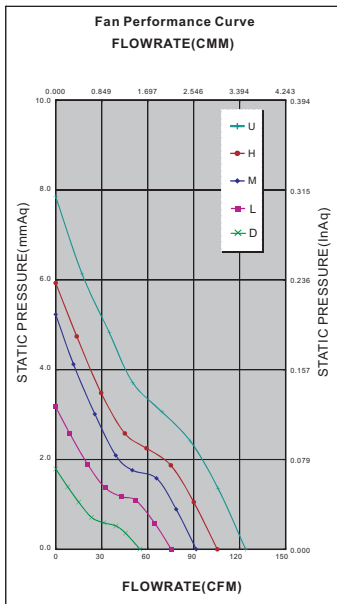
\*Noise is measured at the distance of one (1) meter from the axis of intake.

Bearing type: ⊙=Ball ※=Sleeve ●=Hypro bearing

Frame size (mm)	Model No.	Bearing System Type	Rated Voltage (VDC)	Current (A)	Power (W)	Rated Speed (rpm)	Maximum AirFlow (CMM) (CFM)	Maximum Pressure (InAq) (mmAq)	*Noise Level (dB/A)	Weight (g)
120x120x32	AD1212DB-Y5B	⊙ ※ ●	12	0.08	0.96	1450	1.555 54.949	0.088 2.235	27.9	213.0
	AD1212LB-Y5B	⊙ ※ ●	12	0.19	2.28	2000	2.135 75.448	0.125 3.175	36.6	
	AD1212MB-Y5B	⊙ ※ ●	12	0.26	3.12	2400	2.595 91.707	0.206 5.232	42.0	
	AD1212HB-Y5B	⊙ ※ ●	12	0.32	3.84	2750	2.984 105.463	0.232 5.892	46.1	
	AD1212UB-Y5B	⊙ ※ ●	12	0.51	6.12	3200	3.507 123.951	0.309 7.848	49.5	
	AD1224DB-Y5B	⊙ ※ ●	24	0.05	1.20	1450	1.555 54.949	0.088 2.235	27.9	
	AD1224LB-Y5B	⊙ ※ ●	24	0.10	2.40	2000	2.135 75.448	0.125 3.175	36.6	
	AD1224MB-Y5B	⊙ ※ ●	24	0.16	3.84	2400	2.595 91.707	0.206 5.232	42.0	
	AD1224HB-Y5B	⊙ ※ ●	24	0.21	5.04	2750	2.984 105.463	0.232 5.892	46.1	
	AD1224UB-Y5B	⊙ ※ ●	24	0.32	7.68	3200	3.507 123.951	0.309 7.848	49.5	
	AD1248HB-Y5B	⊙ ※ ●	48	0.11	5.28	2750	2.984 105.463	0.232 5.892	46.1	
	AD1248UB-Y5B	⊙ ※ ●	48	0.15	7.20	3200	3.507 123.951	0.309 7.848	49.5	

Specifications subject to change without notice.

The specification for bearing type is for reference only, for more bearing types information, please contact with your ADDA sales representative, thanks!! (網頁上呈現產品軸承資訊均以2Ball為主, 若需其他產品資訊請聯絡您在ADDA的業務代表, 謝謝!!)



\*Motor protective circuit and third lead wire functions

0	1	2	3	4	6	7	8	9	A	B
✓	✓	✓	✓		✓			✓		✓

\*Safety approvals

✓	✓		✓	✓