



Product Compliance

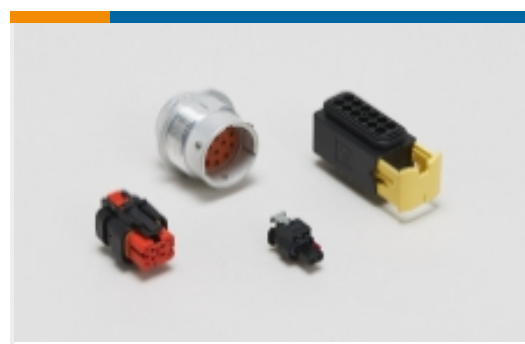
[For compliance documentation, visit the product page on TE.com>](#)

EU RoHS Directive 2011/65/EU	Compliant
EU ELV Directive 2000/53/EC	Out of Scope
China RoHS 2 Directive MIIT Order No 32, 2016	No Restricted Materials Above Threshold
EU REACH Regulation (EC) No. 1907/2006	Current ECHA Candidate List: JUNE 2024 (241) Candidate List Declared Against: JUN 2020 (209) Does not contain REACH SVHC
Halogen Content	Out of Scope - excluded from Halogen requirements
Solder Process Capability	Not applicable for solder process capability

Product Compliance Disclaimer

This information is provided based on reasonable inquiry of our suppliers and represents our current actual knowledge based on the information they provided. This information is subject to change. The part numbers that TE has identified as EU RoHS compliant have a maximum concentration of 0.1% by weight in homogenous materials for lead, hexavalent chromium, mercury, PBB, PBDE, DBP, BBP, DEHP, DIBP, and 0.01% for cadmium, or qualify for an exemption to these limits as defined in the Annexes of Directive 2011/65/EU (RoHS2). Finished electrical and electronic equipment products will be CE marked as required by Directive 2011/65/EU. Components may not be CE marked. Additionally, the part numbers that TE has identified as EU ELV compliant have a maximum concentration of 0.1% by weight in homogenous materials for lead, hexavalent chromium, and mercury, and 0.01% for cadmium, or qualify for an exemption to these limits as defined in the Annexes of Directive 2000/53/EC (ELV). Regarding the REACH Regulation, the information TE provides on SVHC in articles for this part number is based on the latest European Chemicals Agency (ECHA) 'Guidance on requirements for substances in articles' posted at this URL: <https://echa.europa.eu/guidance-documents/guidance-on-reach>

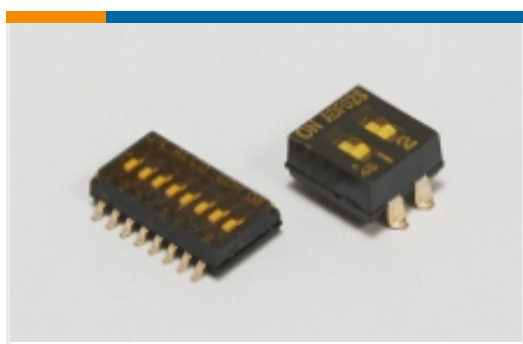
Also in the Series | [Alcoswitch ADP](#)



Automotive Housings(1)



Card Edge Connector Housings(4)



DIP & SIP Switches(8)



RJ45 Connectors(1)

Customers Also Bought



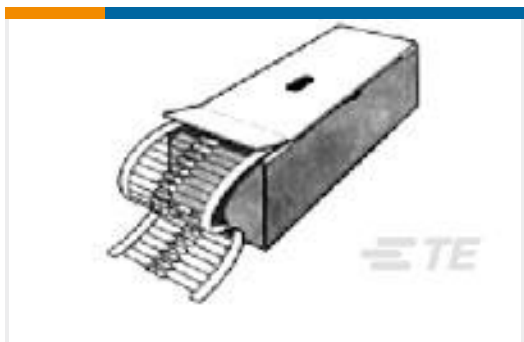
TE Part #59275
T-HEAD PIDG PG SH 26-20 ASSY



TE Part #59250
T-HEAD PIDG 26-14 ASSY



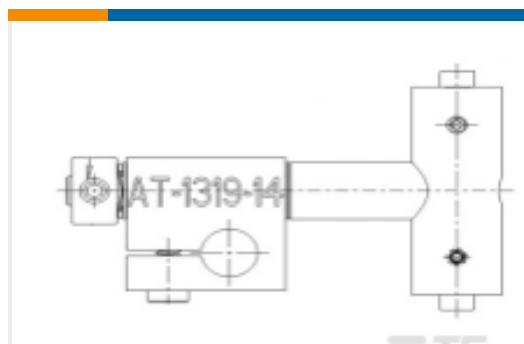
TE Part #993850-000
AD-1319-9



TE Part #2176082-7
EP 3W (S) 100R 5%



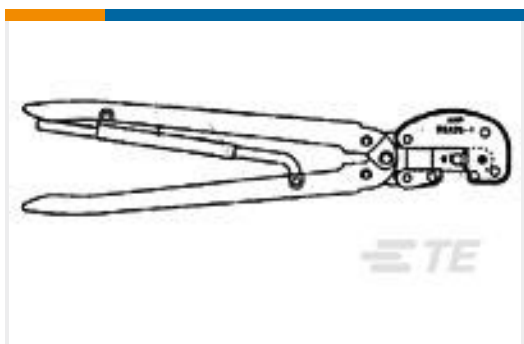
TE Part #205555-3
AMPLIMITE,ASY,RCPT,STD,109,1,K



TE Part #993877-000
AT-1319-14



TE Part #47386
DAHT PG PIDG 26-16 ASSY



TE Part #59239-4
HHHT PIDG PG 12-10 ASSY



TE Part #204513-2
AMPLIMITE,ASY,PLUG,STD,90,1



TE Part #475902-000
AD-1297-1-TRIMR/TWISTD-PR

Documents

Product Drawings

[AD-1564](#)

English