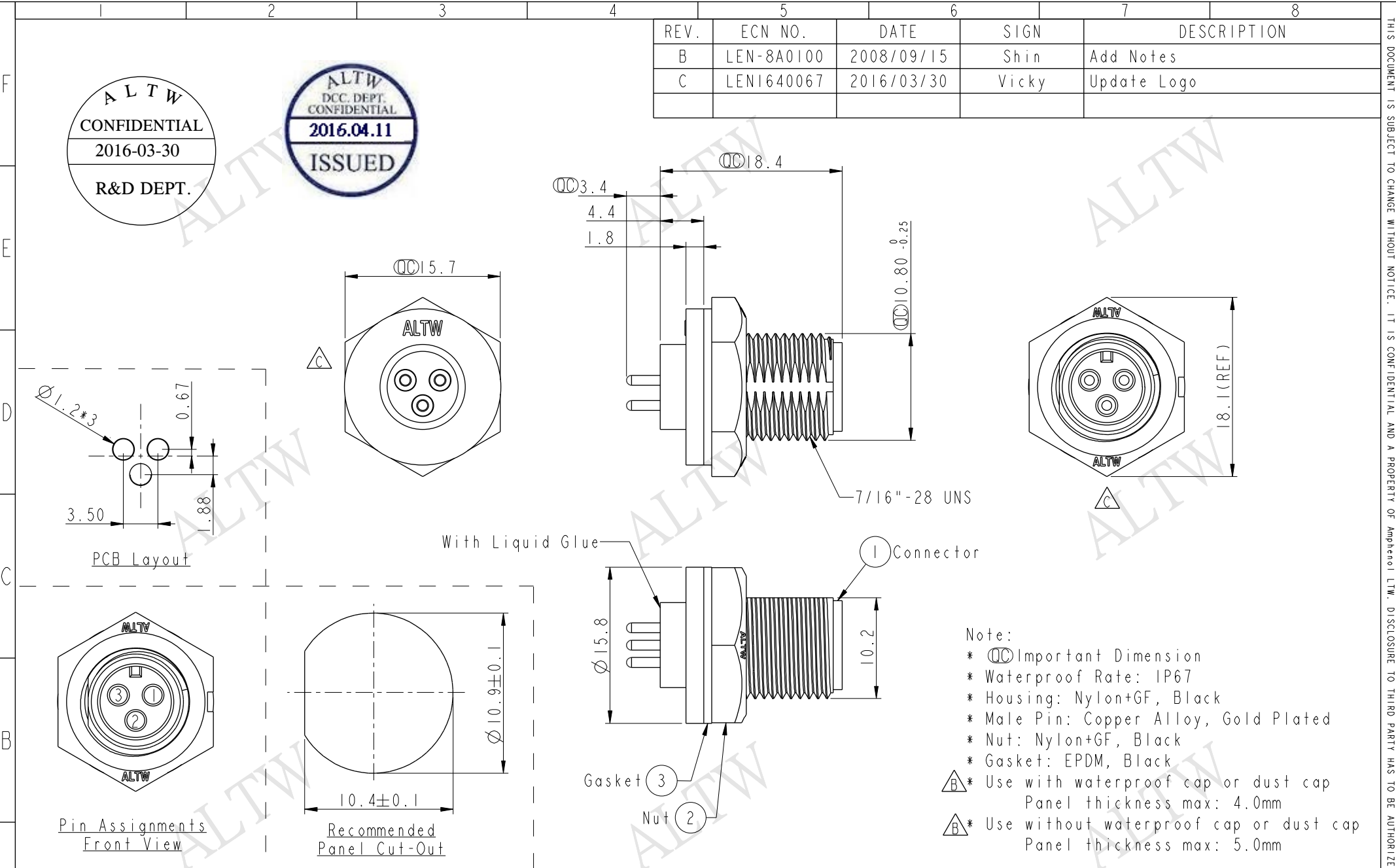
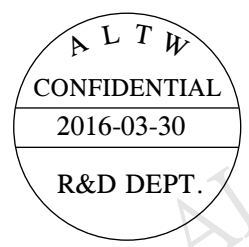


THIS DOCUMENT IS SUBJECT TO CHANGE WITHOUT NOTICE. IT IS CONFIDENTIAL AND A PROPERTY OF AMPHENOL LTW. DISCLOSURE TO THIRD PARTY HAS TO BE AUTHORIZED BY AMPHENOL LTW.

REV.	ECN NO.	DATE	SIGN	DESCRIPTION
B	LEN-8A0100	2008/09/15	Shin	Add Notes
C	LEN1640067	2016/03/30	Vicky	Update Logo



Note:

- \*  $\varnothing$  Important Dimension
- \* Waterproof Rate: IP67
- \* Housing: Nylon+GF, Black
- \* Male Pin: Copper Alloy, Gold Plated
- \* Nut: Nylon+GF, Black
- \* Gasket: EPDM, Black

$\triangle$  \* Use with waterproof cap or dust cap  
Panel thickness max: 4.0mm

$\triangle$  \* Use without waterproof cap or dust cap  
Panel thickness max: 5.0mm

A	UNIT:mm		TITLE Mini Panel Screw 3Pin M Conn. M Pin			ITEM NO AD-03PMMP-SC7001	DRAWN BY Vicky	DATE 2016-03-30
	TOLERANCE	.X ±0.25 .XX ±0.1 .XXX ±0.05 ANGLES ±1°	SCALE 2:1	SIZE A4	SHEET 1 OF 1	DWG NO AD-03PMMP-SC7001	CHECKED BY Rita	DATE 2016-03-30
	REV. C		WC-REV. A.1	$\varnothing$ : Inspection item		CUSTOMER ALTW	APPROVED BY Lisa	DATE 2016-03-30
	<h2 style="text-align: center;">Amphenol LTW</h2> <p style="text-align: center;">安費諾亮泰企業股份有限公司</p>							