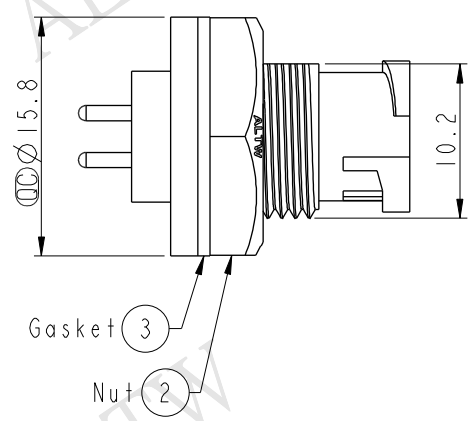
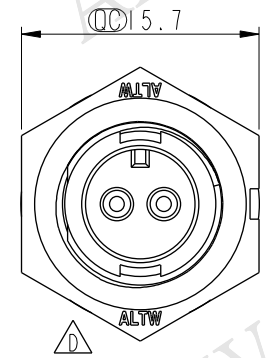
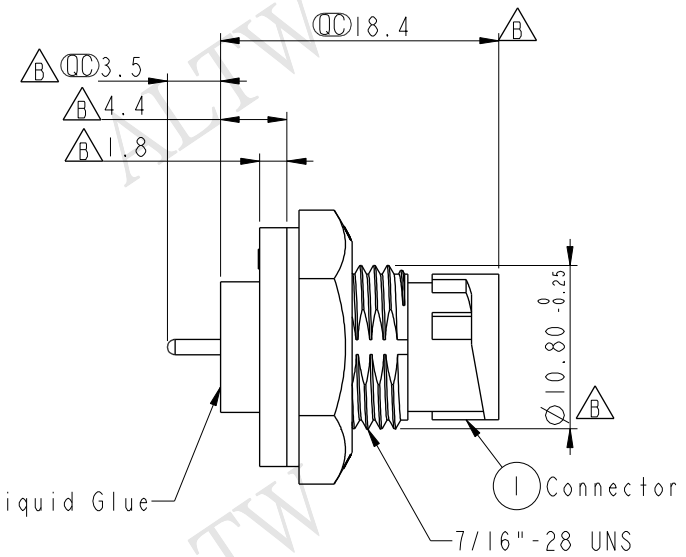
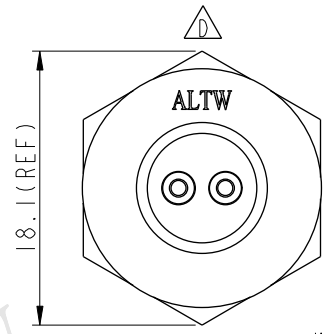
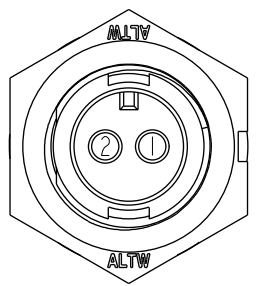
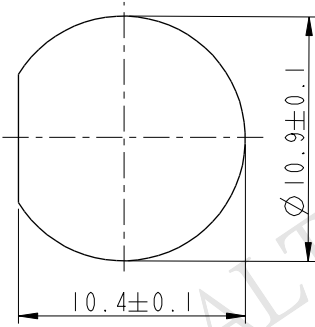
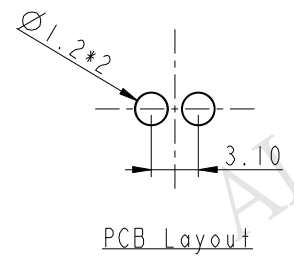
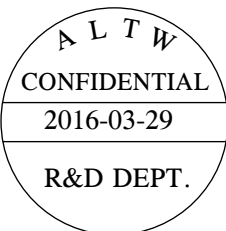


THIS DOCUMENT IS SUBJECT TO CHANGE WITHOUT NOTICE. IT IS CONFIDENTIAL AND A PROPERTY OF Amphenol LTW. DISCLOSURE TO THIRD PARTY HAS TO BE AUTHORIZED BY Amphenol LTW.

| REV. | ECN NO.    | DATE       | SIGN           | DESCRIPTION  |
|------|------------|------------|----------------|--|
| B    | LEN-750106 | 2007/04/23 | A.F. Valentino | Changed Precision Of Dimensions And Applied New Format |
| C    | LEN-8A0126 | 2008/09/04 | Ivan           | Add Note   |
| D    | LEN1640058 | 2016/03/29 | Vicky          | Update Logo  |



- Note:
- \*  $\varnothing$  Important Dimension.
  - \* Waterproof Rate: IP67
  - \* Housing: Nylon+GF, Black
  - \* Male Pin: Copper Alloy, Gold Plated
  - \* Nut: Nylon+GF, Black
  - \* Gasket: EPDM, Black
  - $\triangle$ \* Use with waterproof cap or dust cap  
Panel thickness max: 2.5mm
  - $\triangle$ \* Use without waterproof cap or dust cap  
Panel thickness max: 3.5mm

|           |       |
|-----------|-------|
| UNIT:mm   |       |
| TOLERANCE |       |
| .X        | ±0.25 |
| .XX       | ±0.1  |
| .XXX      | ±0.05 |
| ANGLES    | ±1°   |

|   |                |                                 |  |
|---|----------------|---------------------------------|--|
| TITLE<br>Mini Panel Lock 2Pin M Conn. M Pin |                |                                 |  |
| SCALE<br>2:1                                | SIZE<br>A4     | SHEET<br>1 OF 1                 |  |
| REV.<br>D                                   | WC-REV.<br>A.1 | $\varnothing$ : Inspection item |  |

**Amphenol LTW**  
安費諾亮泰企業股份有限公司

|                             |                     |                    |
|-----------------------------|---------------------|--------------------|
| ITEM NO<br>AD-02PMMP-LC7001 | DRAWN BY<br>Vicky   | DATE<br>2016-03-29 |
| DWG NO<br>AD-02PMMP-LC7001  | CHECKED BY<br>Rita  | DATE<br>2016-03-29 |
| CUSTOMER<br>ALTW            | APPROVED BY<br>Lisa | DATE<br>2016-03-29 |