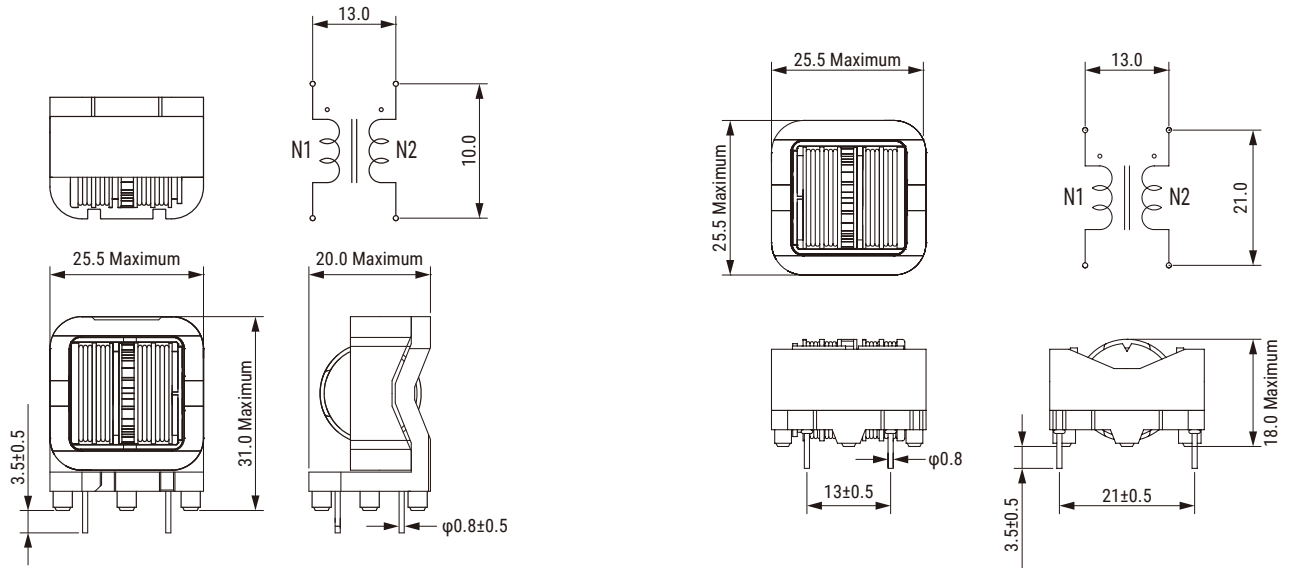


## Sample Kit Contents

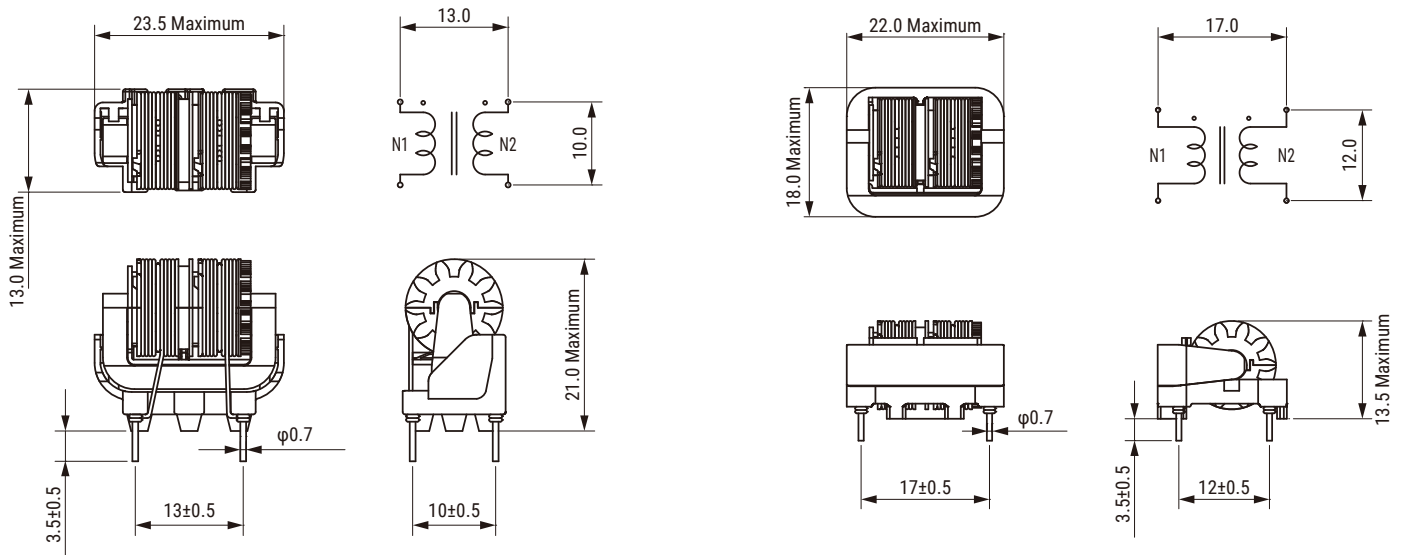
KEMET Part Number	Inductance	Current	Voltage AC	DC Resistance	Temperature Range	Description
SSRH24NVS-45041	4.1 mH (10 kHz)	4.5 A	250 VAC	41 mOhms	-25/+120°C	KEMET, SSRH24NVS/NHS, AC Line Filters, Common Mode, 4100 uH
SSR10VS-22026	2.6 mH (10 kHz)	2.2 A	250 VAC	100 mOhms	-25/+120°C	KEMET, SSR10VS/HS, AC Line Filters, Common Mode, 2600 uH
SSRH24NVS-50026	2.6 mH (10 kHz)	5.0 A	250 VAC	27 mOhms	-25/+120°C	KEMET, SSRH24NVS/NHS, AC Line Filters, Common Mode, 2600 uH
SSRH24NVS-40059	5.9 mH (10 kHz)	4.0 A	250 VAC	55 mOhms	-25/+120°C	KEMET, SSRH24NVS/NHS, AC Line Filters, Common Mode, 5900 uH
SSRH24NVS-35080	8 mH (10 kHz)	3.5 A	250 VAC	74 mOhms	-25/+120°C	KEMET, SSRH24NVS/NHS, AC Line Filters, Common Mode, 8000 uH
SSR21NV-M25103	10.3 mH (10 kHz)	2.5 A	250 VAC	120 mOhms	-25/+120°C	KEMET, SSR21NV-M/NH-M, AC Line Filters, Common Mode, 0.0103 H
SSRH24NV-35086	8.6 mH (10 kHz)	3.5 A	250 VAC	78 mOhms	-25/+120°C	KEMET, SSRH24NV/NH, AC Line Filters, Common Mode, 8600 uH
SSRH24NV-30145	14.5 mH (10 kHz)	3.0 A	250 VAC	102 mOhms	-25/+120°C	KEMET, SSRH24NV/NH, AC Line Filters, Common Mode, 0.0145 H
SSRH24NV-25205	20.5 mH (10 kHz)	2.5 A	250 VAC	145 mOhms	-25/+120°C	KEMET, SSRH24NV/NH, AC Line Filters, Common Mode, 0.0205 H
SSRH24NVS-30092	9.2 mH (10 kHz)	3.0 A	250 VAC	79 mOhms	-25/+120°C	KEMET, SSRH24NVS/NHS, AC Line Filters, Common Mode, 9200 uH
SSRH24NV-45059	5.9 mH (10 kHz)	4.5 A	250 VAC	48 mOhms	-25/+120°C	KEMET, SSRH24NV/NH, AC Line Filters, Common Mode, 5900 uH
SSR21NVS-M30041	4.1 mH (10 kHz)	3.0 A	250 VAC	70 mOhms	-25/+120°C	KEMET, SSR21NVS-M/NHS-M, AC Line Filters, Common Mode, 4100 uH
SSRH24NV-40069	6.9 mH (10 kHz)	4.0 A	250 VAC	57 mOhms	-25/+120°C	KEMET, SSRH24NV/NH, AC Line Filters, Common Mode, 6900 uH
SSRH24NV-50041	4.1 mH (10 kHz)	5.0 A	250 VAC	35 mOhms	-25/+120°C	KEMET, SSRH24NV/NH, AC Line Filters, Common Mode, 4100 uH
SSR10V-22034	3.4 mH (10 kHz)	2.2 A	250 VAC	110 mOhms	-25/+120°C	KEMET, SSR10V/H, AC Line Filters, Common Mode, 3400 uH
SSR21NV-M30064	6.4 mH (10 kHz)	3.0 A	250 VAC	80 mOhms	-25/+120°C	KEMET, SSR21NV-M/NH-M, AC Line Filters, Common Mode, 6400 uH
SSR10VS-30013	1.3 mH (10 kHz)	3.0 A	250 VAC	60 mOhms	-25/+120°C	KEMET, SSR10VS/HS, AC Line Filters, Common Mode, 1300 uH
SSR21NVS-M25064	6.4 mH (10 kHz)	2.5 A	250 VAC	90 mOhms	-25/+120°C	KEMET, SSR21NVS-M/NHS-M, AC Line Filters, Common Mode, 6400 uH
SSR10V-30016	1.6 mH (10 kHz)	3.0 A	250 VAC	60 mOhms	-25/+120°C	KEMET, SSR10V/H, AC Line Filters, Common Mode, 1600 uH
SSRH24NVS-25130	13 mH (10 kHz)	2.5 A	250 VAC	111 mOhms	-25/+120°C	KEMET, SSRH24NVS/NHS, AC Line Filters, Common Mode, 0.013 H
SSHB10H-22014	1.4 mH (10 kHz)	2.2 A	250 VAC	120 mOhms	-25/+130°C	KEMET, SSBH10H, AC Line Filters, Dual Mode, 1400 uH
SSHB10HS-R22027	2.7 mH (10 kHz)	2.2 A	250 VAC	110 mOhms	-25/+120°C	KEMET, SSBH10HS, AC Line Filters, Dual Mode, 2700 uH
SSHB10HS-30006	0.6 mH (10 kHz)	3.0 A	250 VAC	60 mOhms	-25/+130°C	KEMET, SSBH10HS, AC Line Filters, Dual Mode, 600 uH
SSHB10HS-R30015	1.5 mH (10 kHz)	3.0 A	250 VAC	60 mOhms	-25/+120°C	KEMET, SSBH10HS, AC Line Filters, Dual Mode, 1500 uH
SSHB10H-30007	0.7 mH (10 kHz)	3.0 A	250 VAC	70 mOhms	-25/+130°C	KEMET, SSBH10H, AC Line Filters, Dual Mode, 700 uH
SSHB10HS-22011	1.1 mH (10 kHz)	2.2 A	250 VAC	110 mOhms	-25/+130°C	KEMET, SSBH10HS, AC Line Filters, Dual Mode, 1100 uH
SSHB10H-R22034	3.4 mH (10 kHz)	2.2 A	250 VAC	120 mOhms	-25/+120°C	KEMET, SSBH10H, AC Line Filters, Dual Mode, 3400 uH
SSHB10H-R30017	1.7 mH (10 kHz)	3.0 A	250 VAC	70 mOhms	-25/+120°C	KEMET, SSBH10H, AC Line Filters, Dual Mode, 1700 uH

## Dimensions – Millimeters (Inches)

### SSRH24NVS/NHS & SSRH24NV/NH

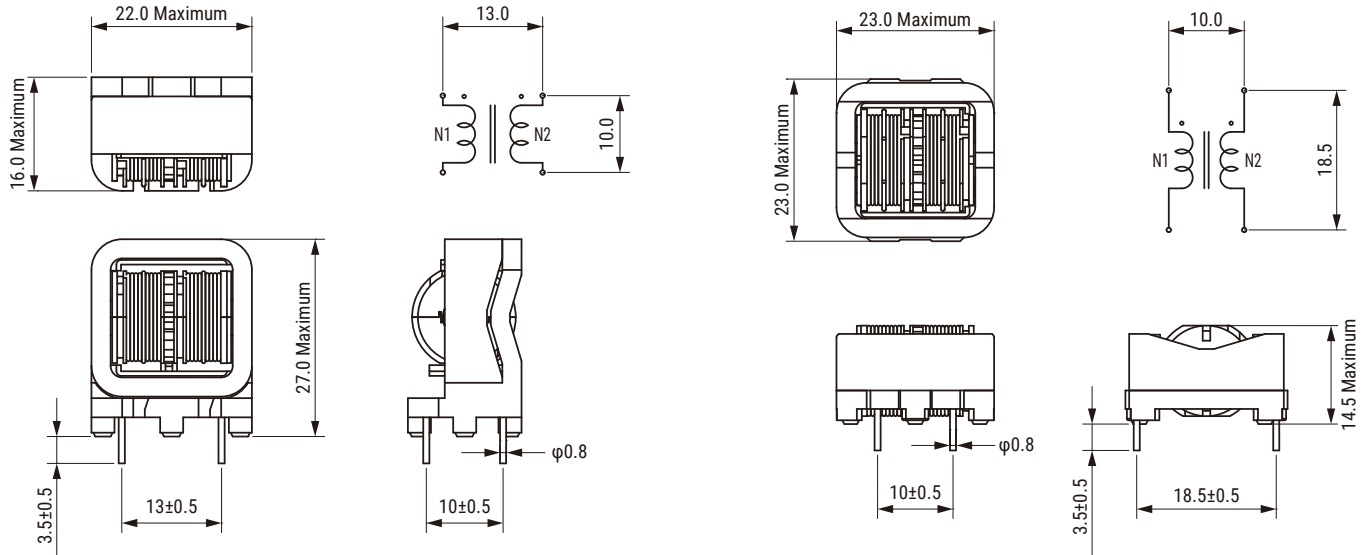


### SSR10VS/HS & SSR10V/H



## Dimensions – Millimeters (Inches) cont.

### SSR21NVS-M/NHS-M & SSR21NV-M/NH-M



### SSHB10H & SSHB10HS

