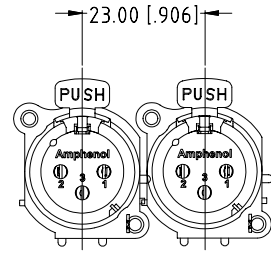
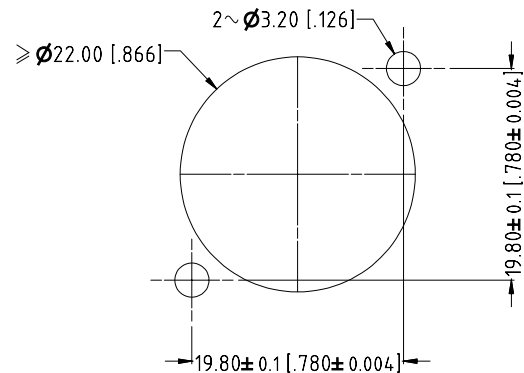


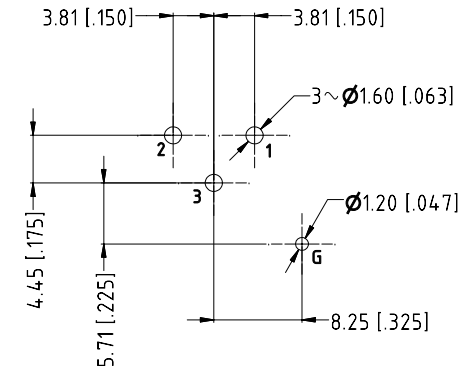
ISO VIEW
SCALE 1:1



MIN MOUNTING PITCH
SCALE 1:1



PANEL CUT OUT
REAR VIEW



PCB LAYOUT
COMPONENT SIDE
TOLERANCE: ± 0.05mm [0.02]

UNLESS OTHERWISE SPECIFIED TOLERANCE TO BE		THIS DOCUMENT IS THE PROPERTY OF AMPHENOL AUSTRALIA PTY. LTD. NO PART THEREOF MAY BE REPRODUCED AND USED WITHOUT THE PRIOR WRITTEN CONSENT OF THE OWNER				1 UPDATE FROM CUSTOMER DRAWING ADD PAGE 1 OF 2 FOR ASSEMBLY DRAWING		LV	12-06-03	8185
LINEAR		ANGULAR		CAD FILE: 55010049000221		DRN:	L.V	DATE:	06-03-01	TITLE: AC3FAV2-AU A-TYPE VERTICAL CUSTOMER DWG
X ± 0.5		X' ± 1		MATL: SEE COMPONENT		CKD:	M.N.H	DATE:	20-06-03	Amphenol Amphenol Australia Pty Ltd, 2 Firmeys Blvd, Keyborough, Vic3173 DRAWING NO. 55010049-000-2 SHEET 2/2
XX ± 0.1		X'X' ± 30'		FINISH: SEE COMPONENT		APP'D:	P.M	DATE:	30-06-03	
XXX ± 0.05		X'X'X' ± 15'		DO NOT SCALE		DIMENSIONS IN MILLIMETRES		THIRD ANGLE PROJECTION	SCALE: 2:1 UOS	PART No: 55010049-000
								REV.	0 FIRST ISSUE	BY DATE
								CHANGE DETAILS		CHG/No