

MATERIALS & SPECIFICATIONS

INSULATORS  
THERMOPLASTIC PER ASTM D5138

CONTACT MATERIAL  
PINS - BERYLLIUM COPPER PER ASTM B194, ALLOY C17200  
SOCKET - COPPER ALLOY PER MIL-DTL-32139

CONTACT FINISH  
GOLD PLATE PER ASTM B488, TYPE II (HARD GOLD), CODE C, CLASS 1.27

TERMINATION FINISH  
SOLDER COATED WITH SN63 PER J-STD-006 OR SN60 PER AMS-P-81728

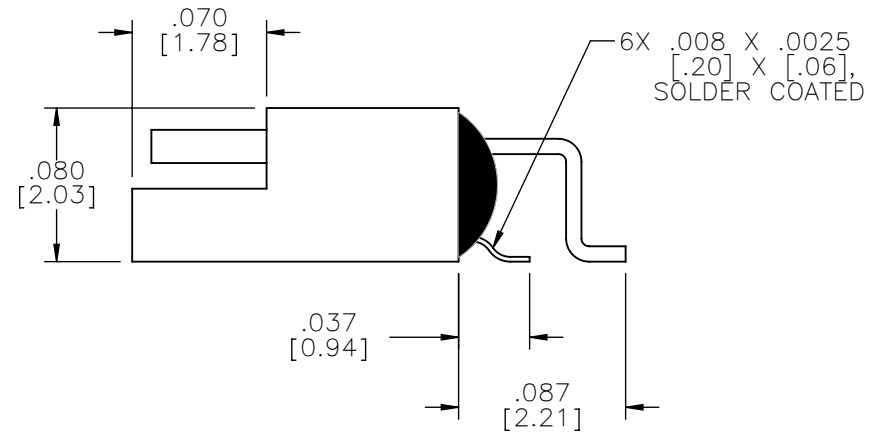
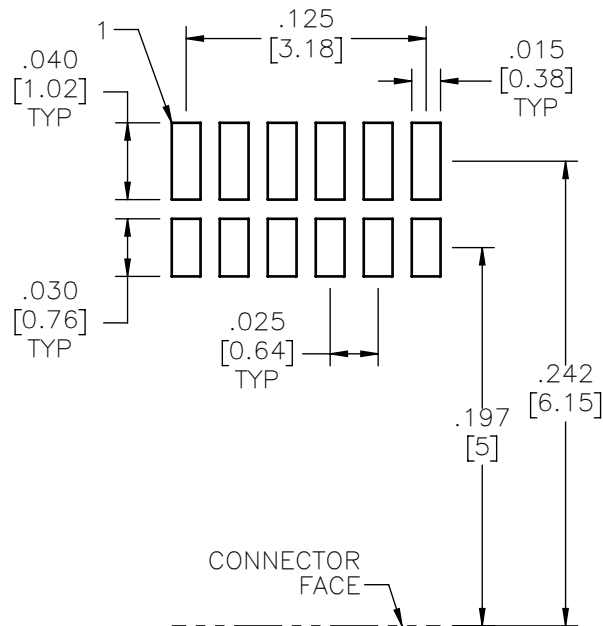
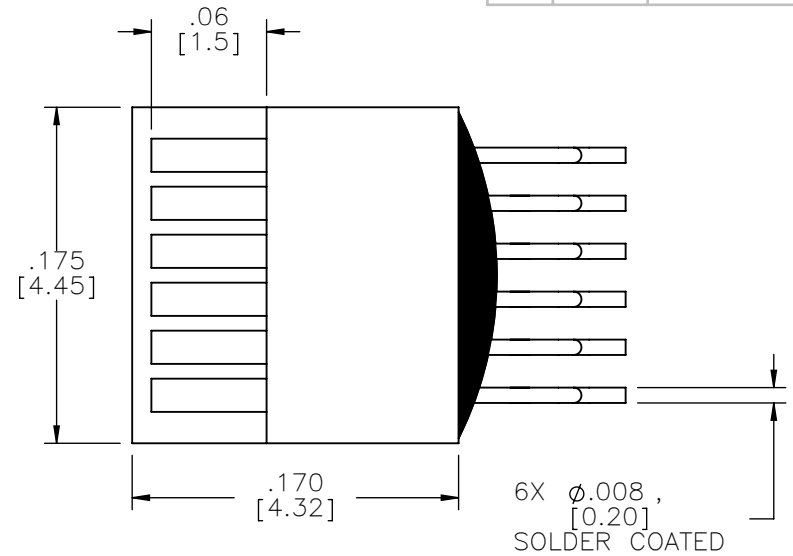
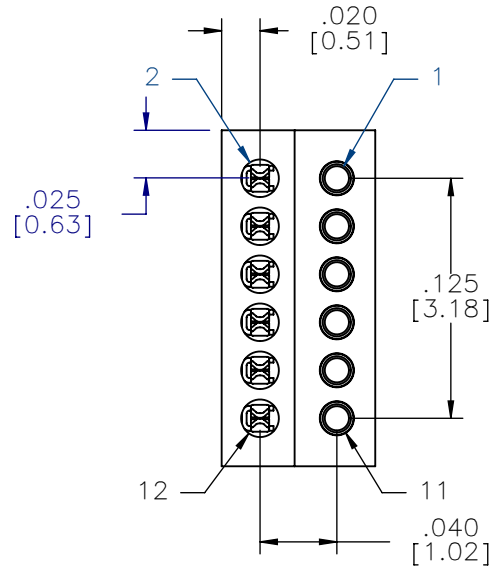
CURRENT RATING  
1 AMP PER MIL-DTL-32139

CONTACT RESISTANCE  
71 MILLIOHM MAX (71mV DROP MAX) @ 1.0 AMPS PER MIL-DTL-32139

PERFORMANCE  
PRODUCT FAMILY TESTED TO AND PASSED THE PERFORMANCE SPECIFICATIONS OF TABLE VIII OF MIL-DTL-32139



ACTUAL SIZE



SUGGESTED PAD LAYOUT

NOTE:

DIMENSIONS IN [ ] ARE IN MILLIMETERS UNLESS OTHERWISE NOTED AND ARE FOR REFERENCE ONLY

PZN	THIRD ANGLE
	—TOLERANCES— UNLESS OTHERWISE NOTED DIMENSIONS IN INCHES
SLDW	2 PL DEC ± .01
	3 PL DEC ± .005
	4 PL DEC ± .0005 ANGLES ± 1°

THIS DRAWING CONTAINS CONFIDENTIAL AND PROPRIETARY INFORMATION WHICH IS THE PROPERTY OF OMNETICS CONNECTOR CORP. THIS DOCUMENT MAY NOT, IN WHOLE OR IN PART, BE DUPLICATED, OR DISCLOSED FOR ANY PURPOSE, WITHOUT WRITTEN PERMISSION FROM OMNETICS CONNECTOR CORP.	
DFTM. NJS	DATE 8/24/2009
CHK'D.	DATE
APP'D.	DATE

TITLE:  
(12) CONTACT POLARIZED  
MALE/FEMALE  
NANO CONNECTOR

**OMNETICS**  
CONNECTOR CORPORATION  
7260 COMMERCE CIRCLE EAST  
MINNEAPOLIS, MN 55432  
WWW.OMNETICS.COM

CAGE CODE <b>61873</b>
DWG NO. <b>A79623-001</b>
SHEET 1 OF 1
SCALE: 10:1
REV D

PART NO.	A79623-001	REV	ECO	DATE	APP
		D	99309	02-18-13	TLM