

MATERIALS & SPECIFICATIONS

INSULATORS  
THERMOPLASTIC PER ASTM  
D5138

CONTACT MATERIAL  
PINS - BERYLLIUM  
COPPER PER ASTM B194,  
ALLOY C17200  
SOCKET - COPPER ALLOY  
PER MIL-DTL-32139

CONTACT FINISH  
GOLD PLATE PER ASTM  
B488, TYPE II (HARD  
GOLD), CODE C, CLASS  
1.27

TERMINATION FINISH  
SOLDER COATED WITH  
SN63 PER J-STD-006 OR  
SN60 PER AMS-P-81728

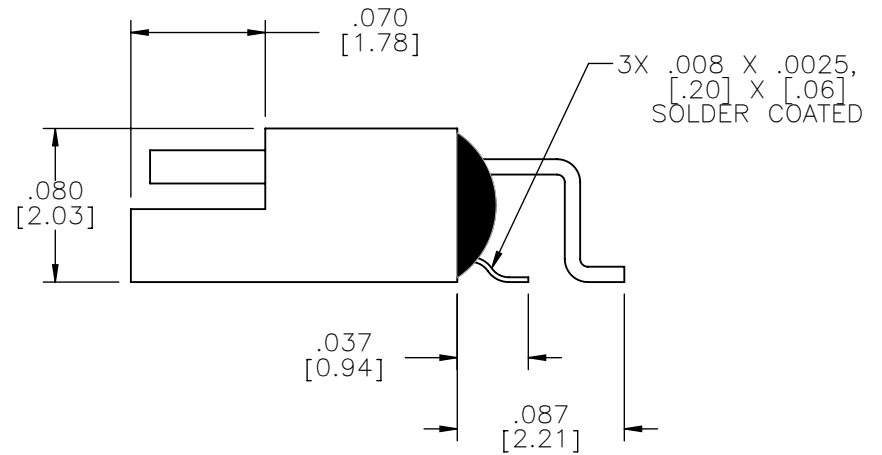
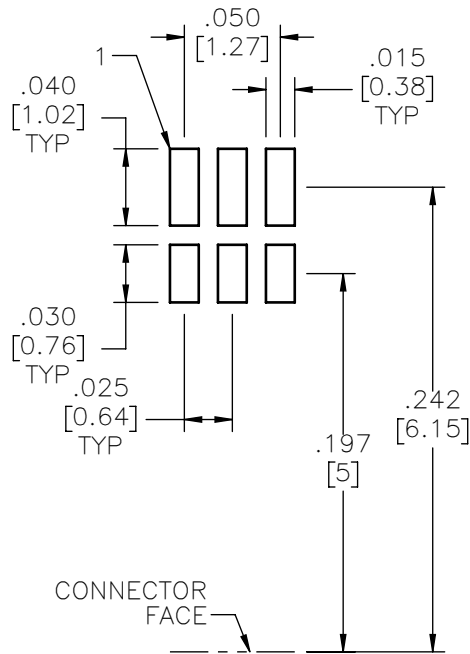
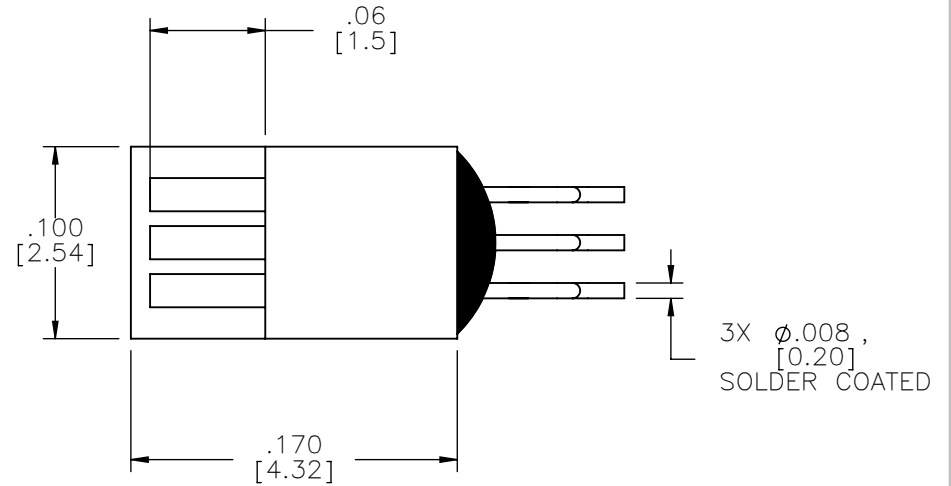
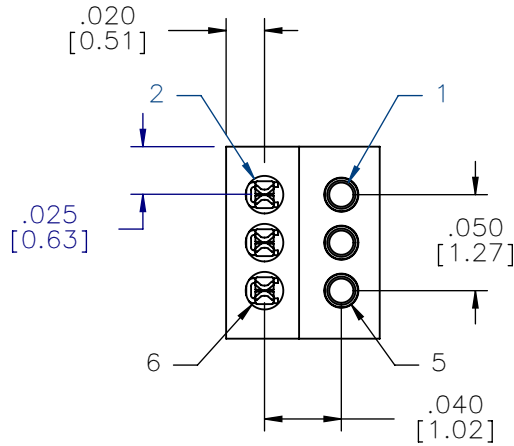
CURRENT RATING  
1 AMP PER MIL-DTL-  
32139

CONTACT RESISTANCE  
71 MILLIOHM MAX (71mV  
DROP MAX) @ 1.0 AMPS  
PER MIL-DTL-32139

PERFORMANCE  
PRODUCT FAMILY TESTED  
TO AND PASSED THE  
PERFORMANCE  
SPECIFICATIONS OF TABLE  
VIII OF MIL-DTL-32139



ACTUAL SIZE



SUGGESTED PAD LAYOUT

PART NO.	A79608-001	REV	ECO	DATE	APP
		D	99309	02-18-13	TLM

NOTE:  
DIMENSIONS IN [ ] ARE IN  
MILLIMETERS UNLESS  
OTHERWISE NOTED AND ARE  
FOR REFERENCE ONLY

PZN	THIRD ANGLE	THIS DRAWING CONTAINS CONFIDENTIAL AND PROPRIETARY INFORMATION WHICH IS THE PROPERTY OF OMNETICS CONNECTOR CORP. THIS DOCUMENT MAY NOT, IN WHOLE OR IN PART, BE DUPLICATED, OR DISCLOSED FOR ANY PURPOSE, WITHOUT WRITTEN PERMISSION FROM OMNETICS CONNECTOR CORP.	DATE	TITLE:
	-TOLERANCES-		08-24-09	
	UNLESS OTHERWISE NOTED		DATE	
	DIMENSIONS IN INCHES			
SLDW	2 PL DEC ± .01	DFTM. NJS	DATE	(6) CONTACT POLARIZED MALE/FEMALE NANO CONNECTOR
	3 PL DEC ± .005	CHK'D.	DATE	
	4 PL DEC ± .0005	APP'D.	DATE	
	ANGLES ± 1°			

**OMNETICS**  
CONNECTOR CORPORATION  
7260 COMMERCE CIRCLE EAST  
MINNEAPOLIS, MN 55432  
WWW.OMNETICS.COM

CAGE CODE	61873
DWG NO.	A79608-001
SHEET 1 OF 1	REV D
SCALE:	10:1