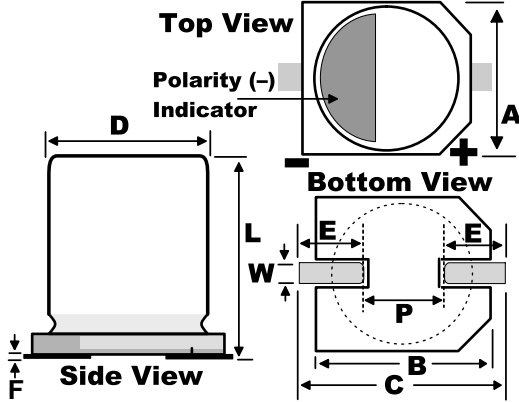


Polymer Aluminum, 105C LowZ, A765, 1500 uF, 20%, 6.3 V, -55/+105C



Dimensions	
D	10mm +/-0.5mm
L	12.6mm +/-0.3mm
W	0.8mm +0.3mm
A	10.3mm +/-0.2mm
B	10.3mm +/-0.2mm
C	11mm +/-0.2mm
E	3.2mm NOM
P	4.6mm NOM

Packaging Specifications	
Packaging:	T&R, 380mm
Packaging Quantity:	400

General Information	
Dielectric:	Polymer Aluminum
Style:	SMD Can
Series:	A765
Description:	Surface Mount, Polymer Aluminum
RoHS:	Yes
Lead:	V-Chip

Specifications	
Capacitance:	1500 uF
Capacitance Tolerance:	20%
Voltage DC:	6.3 VDC, 7.2 VDC (Surge)
Temperature Range:	-55/+105C
Rated Temperature:	105C
Life:	2000 Hrs
Resistance:	10 mOhms (100kHz 20C)
Current:	4100 mAmps (100kHz 105C)
Impedance Ratio at -25C:	1.25
Impedance Ratio at -55C:	1.25