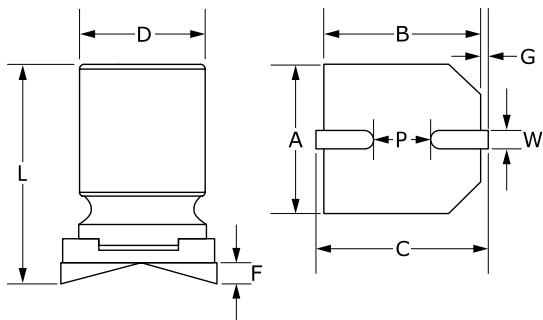


A765, Polymer Aluminum, 560 uF, 20%, 6.3 VDC, -55/+105°C



| Dimensions |                 |
|------------|-----------------|
| D          | 8mm +/-0.5mm    |
| L          | 9.7mm +/-0.3mm  |
| W          | 0.8 - 1.1mm     |
| F          | 0.2mm MAX       |
| A          | 8.3mm +/-0.2mm  |
| B          | 8.3mm +/-0.2mm  |
| C          | 9mm +/-0.2mm    |
| G          | 0.35mm +/-0.2mm |
| P          | 3.2mm +/-0.2mm  |

| Packaging Specifications |            |
|--------------------------|------------|
| Packaging:               | T&R, 380mm |
| Packaging Quantity:      | 500        |

| General Information |                                 |
|---------------------|---------------------------------|
| Series:             | A765                            |
| Dielectric:         | Polymer Aluminum                |
| Style:              | SMD Can                         |
| Description:        | Surface Mount, Polymer Aluminum |
| RoHS:               | Yes                             |
| Lead:               | V-Chip                          |
| AEC-Q200:           | No                              |

| Specifications           |                          |
|--------------------------|--------------------------|
| Capacitance:             | 560 uF                   |
| Capacitance Tolerance:   | 20%                      |
| Voltage DC:              | 6.3 VDC, 7.2 VDC (Surge) |
| Temperature Range:       | -55/+105°C               |
| Rated Temperature:       | 105°C                    |
| Life:                    | 2000 Hrs                 |
| Resistance:              | 12 mOhms (100kHz 20C)    |
| ESR/Impedance at 100kHz: | 12 mOhms                 |
| Ripple Current:          | 5000 mAmps (100kHz 105C) |
| Leakage Current:         | 706 uA (2min 20°C)       |
| High Temperature Solder: | No                       |