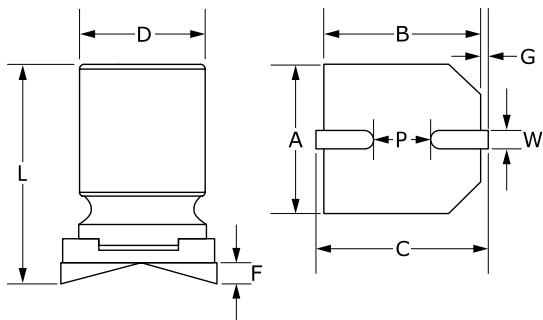


A765, Polymer Aluminum, 560 uF, 20%, 4 VDC, -55/+105°C



Dimensions	
D	8mm +/-0.5mm
L	7.5mm +/-0.3mm
W	0.8 - 1.1mm
F	0.2mm MAX
A	8.3mm +/-0.2mm
B	8.3mm +/-0.2mm
C	9mm +/-0.2mm
G	0.35mm +/-0.2mm
P	3.2mm +/-0.2mm

Packaging Specifications	
Packaging:	T&R, 380mm
Packaging Quantity:	500

General Information	
Series:	A765
Dielectric:	Polymer Aluminum
Style:	SMD Can
Description:	Surface Mount, Polymer Aluminum
RoHS:	Yes
Lead:	V-Chip
AEC-Q200:	No

Specifications	
Capacitance:	560 uF
Capacitance Tolerance:	20%
Voltage DC:	4 VDC, 4.6 VDC (Surge)
Temperature Range:	-55/+105°C
Rated Temperature:	105°C
Life:	2000 Hrs
Resistance:	16 mOhms (100kHz 20C)
ESR/Impedance at 100kHz:	16 mOhms
Ripple Current:	3220 mAmps (100kHz 105C)
Leakage Current:	448 uA (2min 20°C)
High Temperature Solder:	No