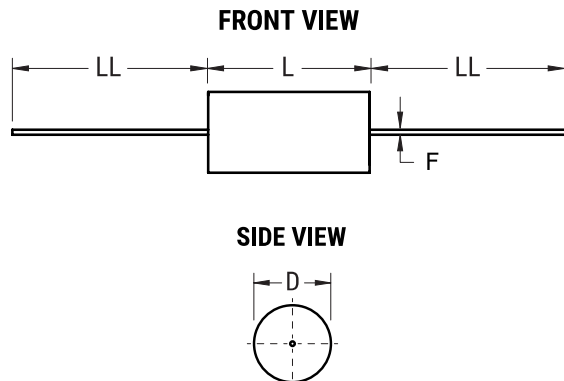


KEMET Part Number: A72QT24702602M
(72QT24702600M)

A72, Film, Film/Foil Polypropylene, General Purpose, 0.047 uF, 20%, 400 VAC, 1000 VDC, 85°C



Dimensions	
D	14mm MAX
L	33mm MAX
H0	18.5mm +/-0.5mm
F	0.8mm +/-0.05mm

Packaging Specifications	
Packaging:	T&R
Packaging Quantity:	300

General Information	
Series:	A72
Dielectric:	Film/Foil Polypropylene
Style:	Axial
RoHS:	Yes
Lead:	Wire Leads
Miscellaneous:	Above 85C DC And AC Voltage Derating Is 1.25%/C. maxK0 = 7400000

Specifications	
Capacitance:	0.047 uF
Capacitance Tolerance:	20%
Voltage AC:	400 VAC
Voltage DC:	1000 VDC, 750 VDC (105C)
Temperature Range:	-55/+105°C
Rated Temperature:	85°C
Dissipation Factor:	0.05% 10kHz, 0.1% 100kHz
Insulation Resistance:	100 GOhms
Max dV/dt:	3700 V/us
Inductance:	33 nH