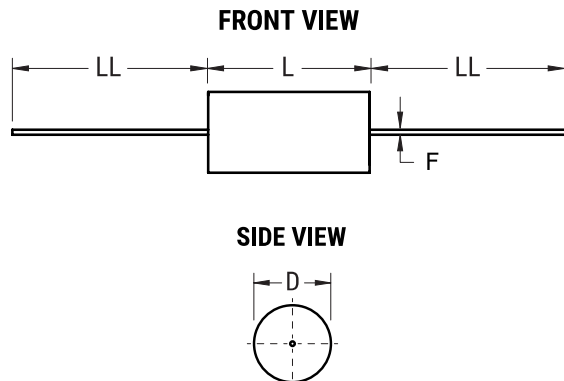


KEMET Part Number: A72II21002600M
(72II21002600M)

A72, Film, Film/Foil Polypropylene, General Purpose, 0.01 uF, 20%, 125 VAC, 250 VDC, 85°C



Dimensions	
D	7.5mm MAX
L	16.5mm MAX
H0	18.5mm +/-0.5mm
F	0.6mm +/-0.05mm

Packaging Specifications	
Packaging:	T&R
Packaging Quantity:	1300

General Information	
Series:	A72
Dielectric:	Film/Foil Polypropylene
Style:	Axial
RoHS:	Yes
Lead:	Wire Leads
Miscellaneous:	Above 85C DC And AC Voltage Derating Is 1.25%/C. maxK0 = 2300000

Specifications	
Capacitance:	0.01 uF
Capacitance Tolerance:	20%
Voltage AC:	125 VAC
Voltage DC:	250 VDC, 187.5 VDC (105C)
Temperature Range:	-55/+105°C
Rated Temperature:	85°C
Dissipation Factor:	0.05% 10kHz, 0.1% 100kHz
Insulation Resistance:	100 GOhms
Max dV/dt:	4500 V/us
Inductance:	16.5 nH