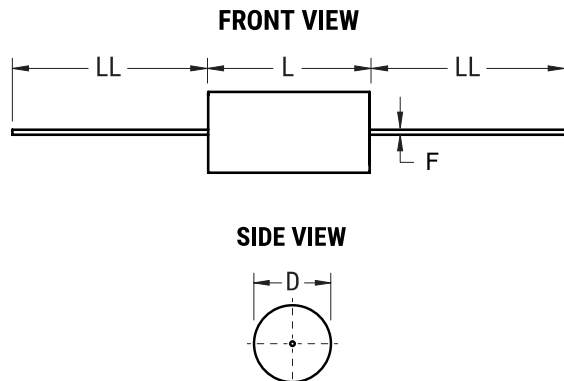


**KEMET Part Number: A72EF21002600M**  
(72EF21002600M)

A72, Film, Film/Foil Polypropylene, General Purpose, 0.01 uF, 20%, 63 VAC, 100 VDC, 85°C



Dimensions	
D	5mm MAX
L	11mm MAX
H0	18.5mm +/-0.5mm
F	0.5mm +/-0.05mm

Packaging Specifications	
Packaging:	T&R
Packaging Quantity:	3000

General Information	
Series:	A72
Dielectric:	Film/Foil Polypropylene
Style:	Axial
RoHS:	No
Prop 65:	<b>⚠ WARNING:</b> Cancer and reproductive harm - <a href="http://www.p65warnings.ca.gov">www.p65warnings.ca.gov</a> .
REACH:	SVHC (Pb - CAS 7439-92-1)
Lead:	Wire Leads
Miscellaneous:	Above 85C DC And AC Voltage Derating Is 1.25%/C. maxK0 = 600000

Specifications	
Capacitance:	0.01 uF
Capacitance Tolerance:	20%
Voltage AC:	63 VAC
Voltage DC:	100 VDC, 75 VDC (105C)
Temperature Range:	-55/+105°C
Rated Temperature:	85°C
Dissipation Factor:	0.05% 10kHz, 0.10% 100kHz
Insulation Resistance:	100 GOhms
Max dV/dt:	3000 V/us
Inductance:	11 nH