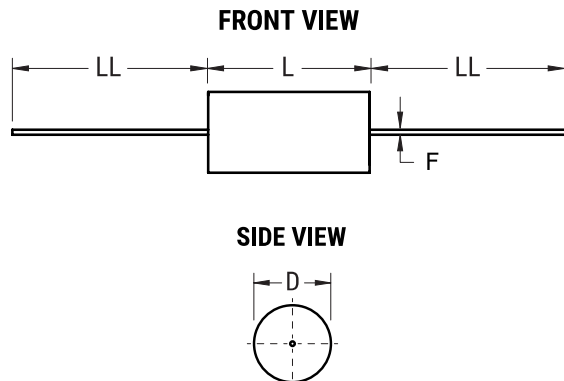


**KEMET Part Number: A70PH1680AA00J**  
(70PH1680AA00J)

**KEMET**  
a YAGEO company

A70, Film, Metallized Polypropylene, General Purpose, 6800 pF, 5%, 250 VAC, 630 VDC, 85°C



| Dimensions |                 |
|------------|-----------------|
| D          | 5.5mm MAX       |
| L          | 14mm MAX        |
| LL         | 38mm MIN        |
| F          | 0.6mm +/-0.05mm |

| Packaging Specifications |           |
|--------------------------|-----------|
| Packaging:               | Bulk, Bag |
| Packaging Quantity:      | 2000      |

| General Information |  |
|---------------------|--|
| Series:             | A70  |
| Dielectric:         | Metallized Polypropylene                                       |
| Style:              | Axial  |
| RoHS:               | Yes  |
| Lead:               | Wire Leads   |
| AEC-Q200:           | No   |
| Miscellaneous:      | Above 85C DC And AC Voltage Derating Is 1.25%/C. maxK0 = 25000 |

| Specifications         |                                       |
|------------------------|---------------------------------------|
| Capacitance:           | 6800 pF                               |
| Capacitance Tolerance: | 5%                                    |
| Voltage AC:            | 250 VAC                               |
| Voltage DC:            | 630 VDC, 472.5 VDC (105C)             |
| Temperature Range:     | -55/+105°C                            |
| Rated Temperature:     | 85°C                                  |
| Dissipation Factor:    | 0.06% 1kHz, 0.10% 10kHz, 0.30% 100kHz |
| Insulation Resistance: | 100 GOhms                             |
| Max dV/dt:             | 20 V/us                               |
| Inductance:            | 14 nH                                 |

Statements of suitability for certain applications are based on our knowledge of typical operating conditions for such applications, but are not intended to constitute - and we specifically disclaim - any warranty concerning suitability for a specific customer application or use. This Information is intended for use only by customers who have the requisite experience and capability to determine the correct products for their application. Any technical advice inferred from this Information or otherwise provided by us with reference to the use of our products is given gratis, and we assume no obligation or liability for the advice given or results obtained.

**KEMET**  
a YAGEO company