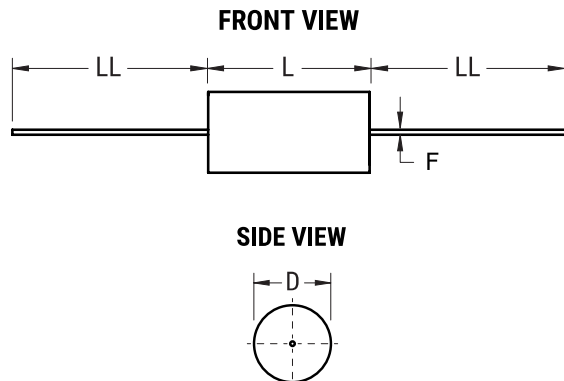


KEMET Part Number: A70PF11002600M
(70PF11002600M)

A70, Film, Metallized Polypropylene, General Purpose, 1000 pF, 20%, 250 VAC, 630 VDC, 85°C



Dimensions	
D	5mm MAX
L	11mm MAX
LL	38mm MIN
F	0.5mm +/-0.05mm

Packaging Specifications	
Packaging:	T&R
Packaging Quantity:	3000

General Information	
Series:	A70
Dielectric:	Metallized Polypropylene
Style:	Axial
RoHS:	Yes
Lead:	Wire Leads
Miscellaneous:	Above 85C DC And AC Voltage Derating Is 1.25%/C. maxK0 = 38000

Specifications	
Capacitance:	1000 pF
Capacitance Tolerance:	20%
Voltage AC:	250 VAC
Voltage DC:	630 VDC, 472.5 VDC (105C)
Temperature Range:	-55/+105°C
Rated Temperature:	85°C
Dissipation Factor:	0.06% 1kHz, 0.1% 10kHz, 0.3% 100kHz
Insulation Resistance:	100 GOhms
Max dV/dt:	30 V/us
Inductance:	11 nH