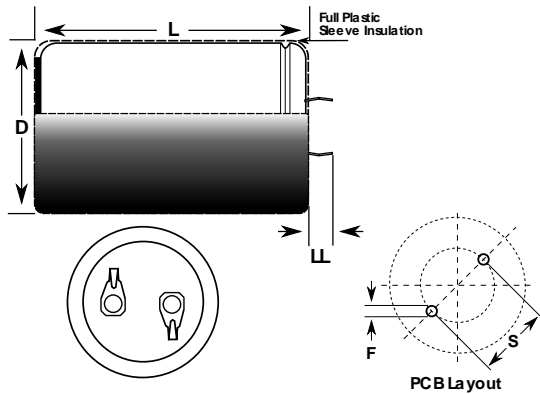


KEMET Part Number: PEH532JCD5100M2
(A541DE103M035A)

Capacitor, aluminum, 0.01 F, +/-20% Tol, -40/+105C, 35V@105C



Dimensions (mm)		
Symbol	Dimension	Tolerance
D	30	+1/-0
L	35	+/-2
S	10	+/-0.1
LL	6.3	+/-1
F	2	+/-0.1

Notes:

-Add 0.5mm to D and 1mm to L for Slewing

General Information

Manufacturer:	KEMET
Part Type Description:	Snap-In Aluminum Electrolytic
Style:	Snap-in
Lead Type:	2 Pin

Specifications

Capacitance:	0.01 F
Tolerance:	+/-20%
Rated Temperature:	105C
Voltage @ rated temp:	35V
Life @ rated temp:	1500 h
RoHS:	Yes
Low Z/ESR:	Yes
Temperature Range:	-40/+105C
ESR at 100Hz @ room temp:	38 mOhm
ESR at 100kHz @ room temp:	32 mOhm
Leakage Current:	1.05 mA
Leakage Condition:	5min/20c
Ripple 100Hz @ rated temp:	3.8 A

Packaging Specifications

Package Kind:	Bulk
Package Quantity:	100