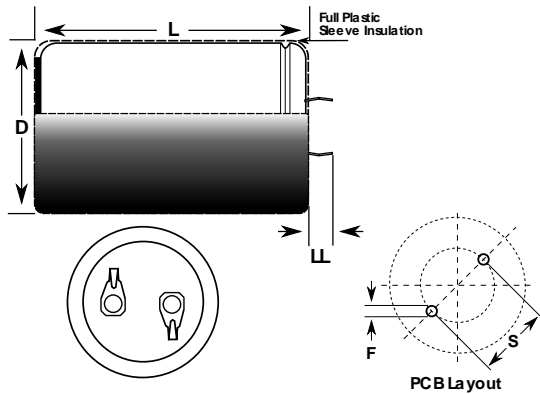


KEMET Part Number: PEH532SAE3330M2
(A541BF331M250A)

Capacitor, aluminum, 330 uF, +/-20% Tol, -40/+105C, 250V@105C



Dimensions (mm)		
Symbol	Dimension	Tolerance
D	22	+1/-0
L	40	+/-2
S	10	+/-0.1
LL	6.3	+/-1
F	2	+/-0.1

Notes:
-Add 0.5mm to D and 1mm to L for Slewing

General Information	
Manufacturer:	KEMET
Part Type Description:	Snap-In Aluminum Electrolytic
Style:	Snap-in
Lead Type:	2 Pin

Specifications	
Capacitance:	330 uF
Tolerance:	+/-20%
Rated Temperature:	105C
Voltage @ rated temp:	250V
Life @ rated temp:	1500 h
RoHS:	Yes
Low Z/ESR:	Yes
Temperature Range:	-40/+105C
ESR at 100Hz @ room temp:	350 mOhm
ESR at 100kHz @ room temp:	170 mOhm
Leakage Current:	248 uA
Leakage Condition:	5min/20c
Ripple 100Hz @ rated temp:	0.97 A

Packaging Specifications	
Package Kind:	Bulk
Package Quantity:	100