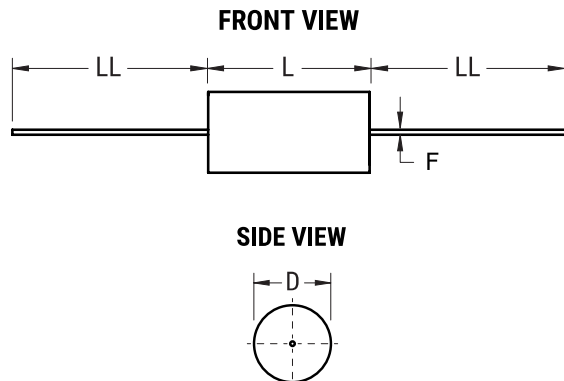


KEMET Part Number: A50EF32202660M
(50EF32202660M)

A50, Film, Metallized Polyester, Automotive Grade, 0.22 uF, 20%, 63 VAC, 100 VDC, 85°C



General Information	
Series:	A50
Dielectric:	Metallized Polyester
Style:	Axial
Features:	Automotive Grade
RoHS:	Yes
Lead:	Wire Leads
Qualifications:	AEC-Q200
AEC-Q200:	Yes
Miscellaneous:	Above 85C DC And AC Voltage Derating Is 1.25%/C. maxK0 = 1000

Dimensions	
D	5mm MAX
L	11mm MAX
LL	20mm MIN
F	0.6mm +/-0.05mm

Packaging Specifications	
Packaging:	T&R
Packaging Quantity:	3000

Specifications	
Capacitance:	0.22 uF
Capacitance Tolerance:	20%
Voltage AC:	63 VAC
Voltage DC:	100 VDC, 75 VDC (105C)
Temperature Range:	-55/+105°C
Rated Temperature:	85°C
Dissipation Factor:	0.80% 1kHz, 1.20% 10kHz
Insulation Resistance:	3.75 GOhms
Max dV/dt:	5 V/us
Inductance:	7 nH

Statements of suitability for certain applications are based on our knowledge of typical operating conditions for such applications, but are not intended to constitute - and we specifically disclaim - any warranty concerning suitability for a specific customer application or use. This Information is intended for use only by customers who have the requisite experience and capability to determine the correct products for their application. Any technical advice inferred from this Information or otherwise provided by us with reference to the use of our products is given gratis, and we assume no obligation or liability for the advice given or results obtained.