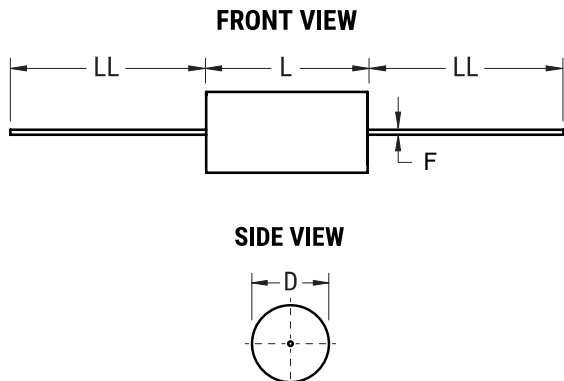


KEMET Part Number: A50DH34702660M
(50DH34702660M)

A50, Film, Metallized Polyester, Automotive Grade, 0.47 uF, 20%, 40 VAC, 63 VDC, 85°C



General Information	
Series:	A50
Dielectric:	Metallized Polyester
Style:	Axial
Features:	Automotive Grade
RoHS:	Yes
Lead:	Wire Leads
Qualifications:	AEC-Q200
AEC-Q200:	Yes
Miscellaneous:	Above 85C DC And AC Voltage Derating Is 1.25%/C. maxK0 = 500

Dimensions	
D	6mm MAX
L	14mm MAX
LL	20mm MIN
F	0.6mm +/-0.05mm

Packaging Specifications	
Packaging:	T&R
Packaging Quantity:	1300

Specifications	
Capacitance:	0.47 uF
Capacitance Tolerance:	20%
Voltage AC:	40 VAC
Voltage DC:	63 VDC, 47.25 VDC (105C)
Temperature Range:	-55/+105°C
Rated Temperature:	85°C
Dissipation Factor:	0.80% 1kHz, 1.20% 10kHz
Insulation Resistance:	2.1277 GOhms
Max dV/dt:	4 V/us
Inductance:	7 nH