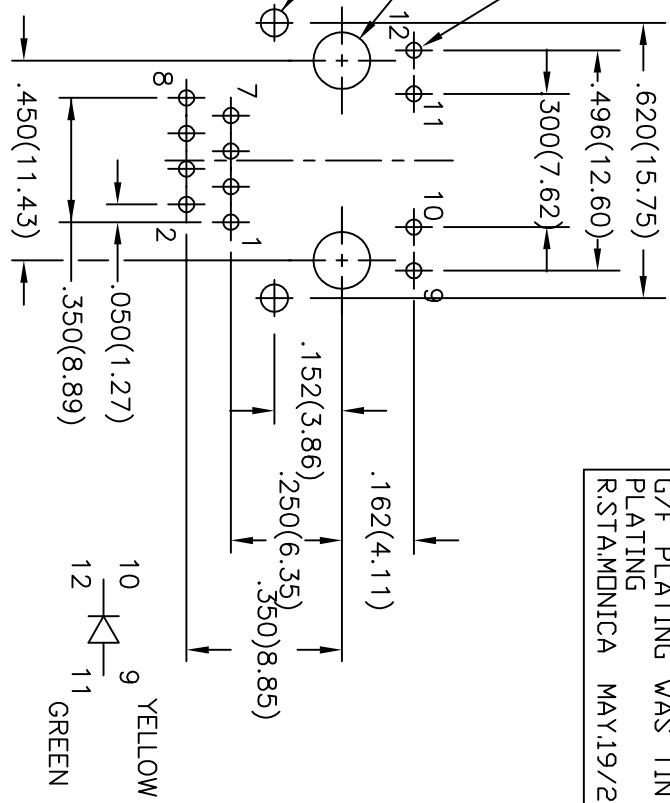
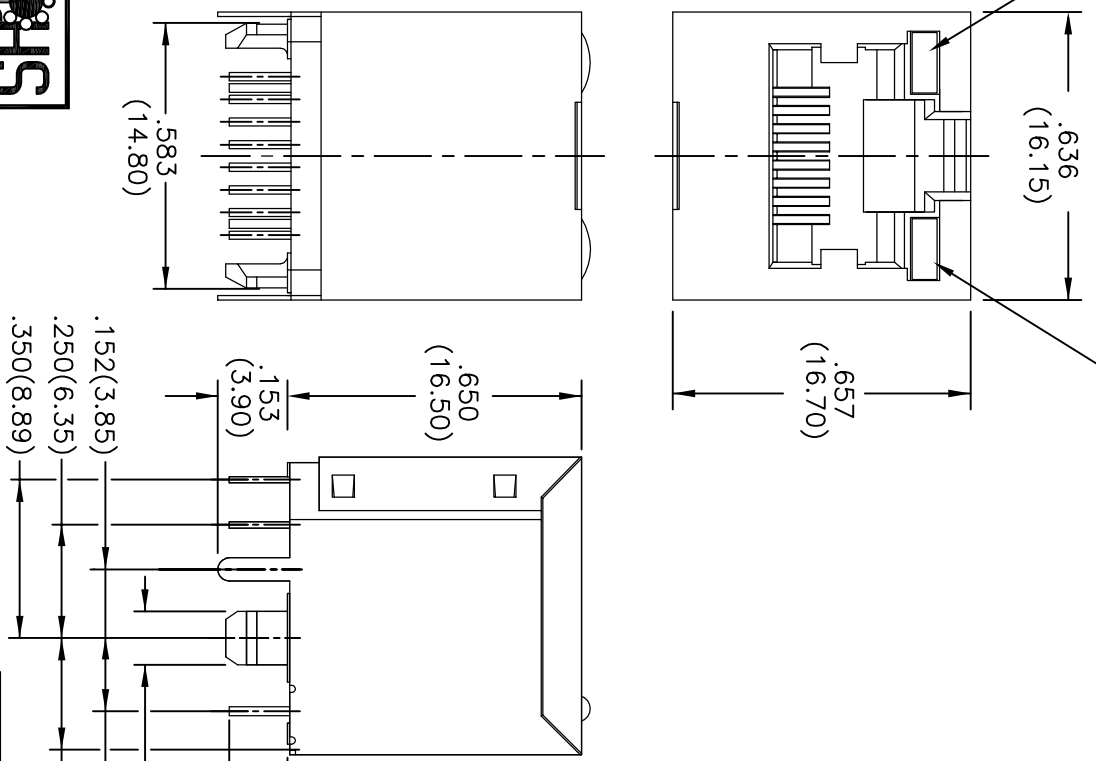


LED (GREEN)

LED (YELLOW)

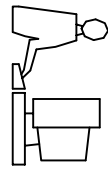


MATERIALS:
 HOUSING: PBT POLYESTER (UL94V-0), COLOR BLACK
 CONTACTS: PHOSPHOR BRONZE
 A20-108-623-110: 30 MICROINCHES OF GOLD OVER NICKEL
 A20-108-323-110: 15 MICROINCHES OF GOLD OVER NICKEL
 A20-108-223-110: GOLD FLASH OVER NICKEL
 GOLD FLASH PLATING OVER NICKEL IN SOLDER AREA.
 SHIELD: COPPER ALLOY, NICKEL PLATED



THIS SERIES FULLY CONFORMS TO THE
 EUROPEAN UNION DIRECTIVES
 2011/65/EU FOR ROHS COMPLIANCY.

THIS IS A C.A.D. GENERATED DRAWING
 DO NOT MAKE MANUAL REVISIONS TO MASTER.



ISSUE NUMBER	1
ORIGINAL	2
UPDATE LED POLARITY	3
R.STAMONICA	MAR.23/2015
G/F PLATING WAS TIN	3
PLATING	
R.STAMONICA	MAY.19/2015

MODULAR JACK 8 POSITIONS VERTICAL SHIELDING
 WITH COLOR LED'S

EDAC INC
 TORONTO, ONTARIO
 CANADA
 YOUR CONNECTION TO QUALITY & SERVICE

ACAD REFERENCE NO.	A20-108-223-110
DRAWN:	R.BLAKEY
DATE:	JUN. 26/07
PART NUMBER	SEE ABOVE
DRAWING NUMBER	A20-108-223-110
ISSUE	3