



## Product Compliance

[For compliance documentation, visit the product page on TE.com>](#)

EU RoHS Directive 2011/65/EU	Compliant
EU ELV Directive 2000/53/EC	Compliant
China RoHS 2 Directive MIIT Order No 32, 2016	No Restricted Materials Above Threshold
EU REACH Regulation (EC) No. 1907/2006	Current ECHA Candidate List: JUNE 2024 (241) Candidate List Declared Against: JUNE 2024 (241) Does not contain REACH SVHC
Halogen Content	Low Halogen - Br, Cl, F, I < 900 ppm per homogenous material. Also BFR/CFR/PVC Free
Solder Process Capability	Not applicable for solder process capability

### Product Compliance Disclaimer

This information is provided based on reasonable inquiry of our suppliers and represents our current actual knowledge based on the information they provided. This information is subject to change. The part numbers that TE has identified as EU RoHS compliant have a maximum concentration of 0.1% by weight in homogenous materials for lead, hexavalent chromium, mercury, PBB, PBDE, DBP, BBP, DEHP, DIBP, and 0.01% for cadmium, or qualify for an exemption to these limits as defined in the Annexes of Directive 2011/65/EU (RoHS2). Finished electrical and electronic equipment products will be CE marked as required by Directive 2011/65/EU. Components may not be CE marked. Additionally, the part numbers that TE has identified as EU ELV compliant have a maximum concentration of 0.1% by weight in homogenous materials for lead, hexavalent chromium, and mercury, and 0.01% for cadmium, or qualify for an exemption to these limits as defined in the Annexes of Directive 2000/53/EC (ELV). Regarding the REACH Regulation, the information TE provides on SVHC in articles for this part number is based on the latest European Chemicals Agency (ECHA) 'Guidance on requirements for substances in articles' posted at this URL: <https://echa.europa.eu/guidance-documents/guidance-on-reach>


## Compatible Parts

 <p>TE Part # 1-2186500-1 T3212-PRINTER</p>	 <p>TE Part # 1-2186503-1 T3224-SWARE-PRINTER</p>	 <p>TE Part # 1-2186501-1 T3212-SWARE-PRINTER</p>	 <p>TE Part # 1-2186502-1 T3224-PRINTER</p>
--	--	--	--

## Customers Also Bought



TE Part #1658607-1  
50 POS HDF PLUG, MS, LEAD FREE



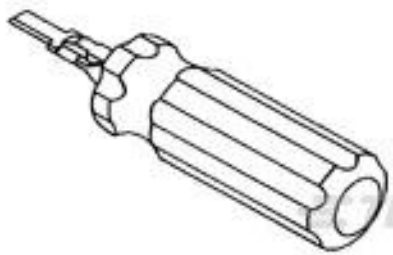
TE Part #52934  
TERMINAL,PIDG SPR SPD 16-14 5



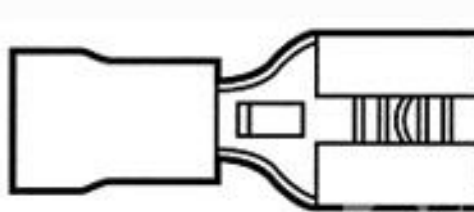
TE Part #047011-000  
AD-1522-1-CRIMPING-TOOL



TE Part #47387-7  
DAHT PG PIDG 16-12 ASSY




TE Part #305183  
EXTRACT TOOL TYPE 2 20-16



TE Part #9-160583-5  
250 PIDG FASTON REC




TE Part #350552-1  
UMNL PIN 20-14 PTPBR L/P



TE Part #328307  
SPARE WIRE CAP,RED 22-18 AWG



TE Part #A70754-000  
B-155-03



TE Part #328309  
SPARE WIRE CAP,YEL, 12-10 AWG

## Documents

### Datasheets & Catalog Pages

[Technical Datasheet for HX-SCE Heat Shrink Marker Sleeves](#)

English

### Product Specifications

[Product Specification](#)

English

[IDENTIFICATION PRINTER PRODUCT RIBBON MATRIX](#)

English

### Instruction Sheets

[Instruction Sheet \(non U.S.\)](#)

English