

Distributed by:

**JAMECO**<sup>®</sup>  
ELECTRONICS

**www.Jameco.com ♦ 1-800-831-4242**

The content and copyrights of the attached  
material are the property of its owner.

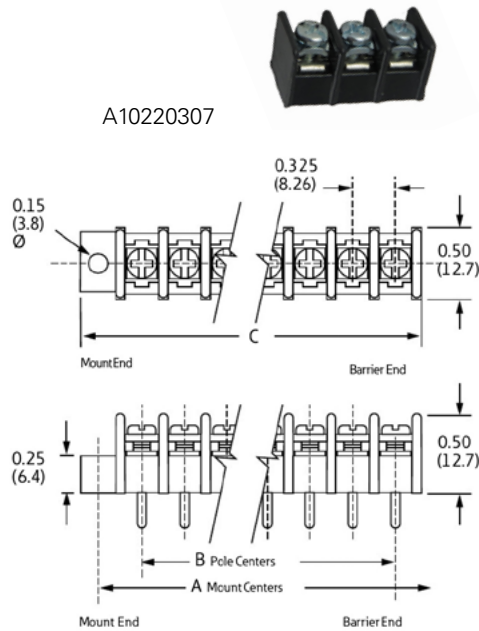
Jameco Part Number 231440

# Single Row Terminal Blocks

## A1

### Dimensions Inches (Millimeters)

A1



Eaton's single row terminal blocks may, on occasion, have various cosmetic variations on their ends due to machining operations that achieve the proper number of poles required. Cutting and machining blemishes are permissible and have no effect on the fit, form or function of the product.

### Specifications

**UL Rating:** 20A, 250V\*

**CSA Rating:** 15A, 150V or 10A, 300V\*

**Center Spacing:** 0.325" (8.26mm)

**Wire Range:** #14-22 AWG Cu

**Screw Size:** #6-32 zinc-plated phillslot wire-ready screws with a #2 driving recess.

**Torque Rating:** 9 lb-in.

**Distance Between Barriers:** 0.26" (6.6mm)

**Recommended PCB Hole Diameter:** 0.070" (1.78mm)

**Operating Temperature:** -40°C to 105°C (-40°F to 221°F) .

**Molded Material:** Black, UL Rated 94V0 Thermoplastic

**Breakdown Voltage:** 1600V

**Agency Information:** UL1059 (File:E62622); CSA std C22.2 No. 158-10 (File: 15364); Complies to IEC 60947-7-1; CE

\* Consult respective agency standards and files for full details



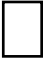



Poles	MOUNTING ENDS ONLY		BARRIER & MOUNTING ENDS	BARRIER ENDS ONLY
	A Mounting Ctrs.	C Length	B Pole Ctrs.	C Length
02	0.98	1.37	0.33	0.72
03	1.30	1.69	0.65	1.04
04	1.63	2.02	0.98	1.37
05	1.95	2.34	1.30	1.69
06	2.28	2.67	1.63	2.02
07	2.60	2.99	1.95	2.34
08	2.93	3.32	2.28	2.67
09	3.25	3.64	2.60	2.99
10	3.58	3.97	2.93	3.32
11	3.90	4.29	3.25	3.64
12	4.23	4.62	3.58	3.97
13	4.55	4.94	3.90	4.29
14	4.88	5.27	4.23	4.62
15	5.20	5.59	4.55	4.94
16	5.53	5.92	4.88	5.27
17	5.85	6.24	5.20	5.59
18	6.18	6.57	5.53	5.92
19	6.50	6.89	5.85	6.24
20	6.83	7.22	6.18	6.57
21	7.15	7.54	6.50	6.89
22	7.48	7.87	6.83	7.22
23	7.80	8.19	7.15	7.54
24	8.13	8.52	7.48	7.87
25	8.45	8.84	7.80	8.19
26	8.78	9.17	8.13	8.52
27	9.10	9.49	8.45	8.84
28	9.43	9.82	8.78	9.17
29	9.75	10.14	9.10	9.49
30	10.08	10.47	9.43	9.82

Dimensions in inches. To convert to millimeters, multiply by 25.4.

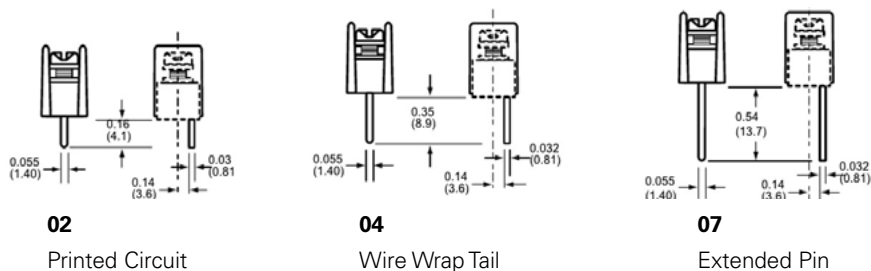


Powering Business Worldwide

### Part Numbering System

Family	Terminal Style	Base/End	Poles	Screw Options	Options
 <p><b>A1</b> - standard barrier <b>CB1</b> - closed back</p>	 <p><b>02</b> - printed circuit <b>04</b> - wire wrap <b>07</b> - extended pin</p>	 <p><b>1</b> - mount end <b>2</b> - barrier end</p>	 <p><b>02 to 24</b> A1 <b>02 to 30</b> CB1</p>	 <p>Blank-std. screws <b>03</b>- stainless steel <b>07</b>- steel SEMS &amp; washer (not available with hardware options)</p>	 <p><b>DR</b> - angle mts. (A1 only-pg 5) <b>B1 to B9</b> - 0.187" QC (all positions) <b>L1 to L6</b> marking options (pg 25) <b>LT1 to LT6</b> marking options (CB1 only-pg 25) <b>MP &amp; MT</b> - mounting plates 0.150 dia (pg 5) <b>R26</b> - rightangle bends (A1 only-pg 5)</p>

### Terminal Styles Inches (Millimeters)



### Screw Options Wire ready screws standard on all terminal styles

(Bulk ordering part numbers are in parentheses)



**Standard**  
Zinc-Plated Steel (F508-J)



**03**  
Stainless Steel (F510-J)

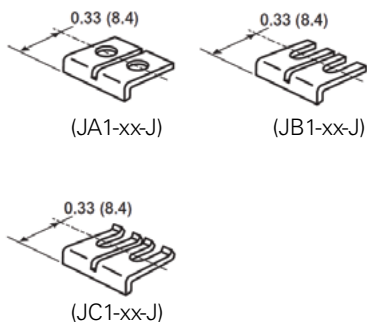


**07**  
Zinc-Plated Steel Screws (F522-J)

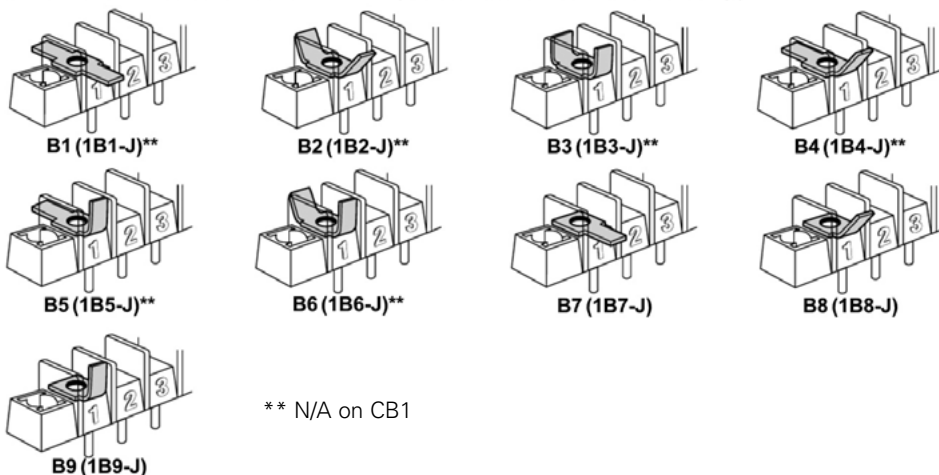
### Hardware Options Inches (Millimeters)

(Bulk ordering part numbers are in parentheses)

#### Jumpers



#### Quick Connects Blade Width B = 0.187"



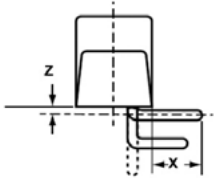
\*Contact Eaton for desired configuration

\*\* N/A on CB1

## Mounting Options

### Right Angle Bends (A1 only)

Right angle terminals are offered on the A1. Configurations are defined in these dimensions: X = pin extension beyond the block base; Z = length from block base to centerline of the terminal tip. Standard bends consist of the X and Z dimensions shown in the chart. Specify by adding the R26 Bend Option Code to the terminal part number.

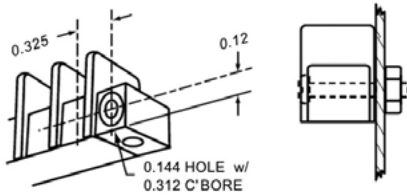


Bend Option Code	X	Z
R26 (04 terminal only)	0.14 (3.5)	0.09 (2.3)

Dimensions: in (mm)

### Right Angle Bends (A1 only)

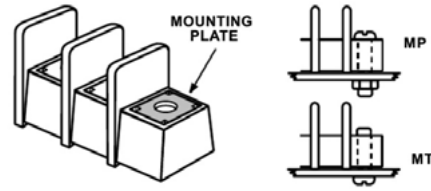
(Dimensions in inches)



### Option DR

Counterbored holes across mount ends of block enable fastening with two screws at right angles to normal mount position.

### Mounting Plates



### Options MP & MT

**MP** Metal inserts with 0.150" (3.8) dia. hole accept #6 screw.

**MT** Metal inserts with tapped hole accept #6-32 screw.

Bulk part numbers **1MP-J** & **1MT-J**.

## Tools & resources

- [Webpage](#)
- [Terminal block selector tool](#)
- [Terminal block cross reference](#)
- [Contact us](#)

**Eaton**  
**Electronics Division**  
1000 Eaton Boulevard  
Cleveland, OH 44122  
United States  
[Eaton.com/electronics](http://Eaton.com/electronics)

© 2019 Eaton  
All Rights Reserved  
Printed in USA  
Publication No. 10682 — BU-MC19146  
November 2019

Eaton is a registered trademark.

All other trademarks are property  
of their respective owners.

Follow us on social media to get the  
latest product and support information.

