

**120**mm sq.

# San Ace 120

38mm thick(WV type), 38mm thick(WP type)  
38mm thick(WG type), 38mm thick(WS type)



- General Specifications With a pulse sensor
- With PWM speed control function

- Material.....Frame: Aluminum,  
Impeller: Plastics (Flammability: UL94V-1)
- Expected Life .....Varies for each model (Indoor, L10:Survival rate:90% at 60°C ,  
rated voltage, and continuously run in a free air state)
- Lead Wire .....⊕red ⊖black (Sensor) yellow (Control) brown
- Storage Temperature ...-30°C to +70°C (Non-condensing)

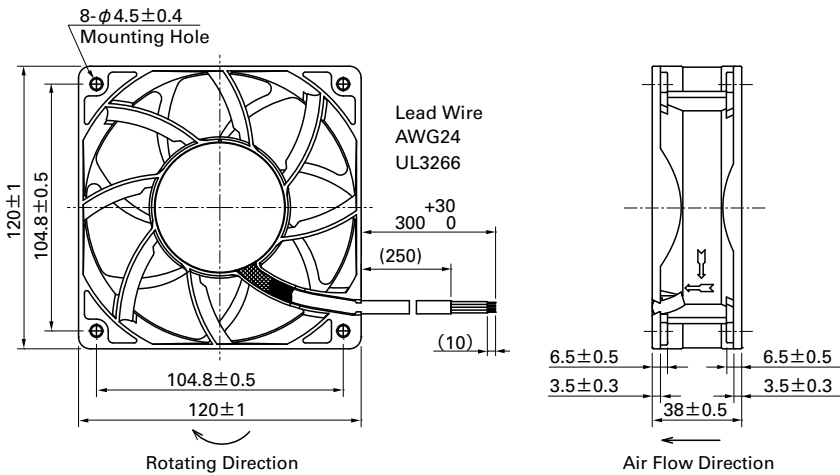
**120×120×38mm** (Mass : 440g) **WV type**

## Specifications

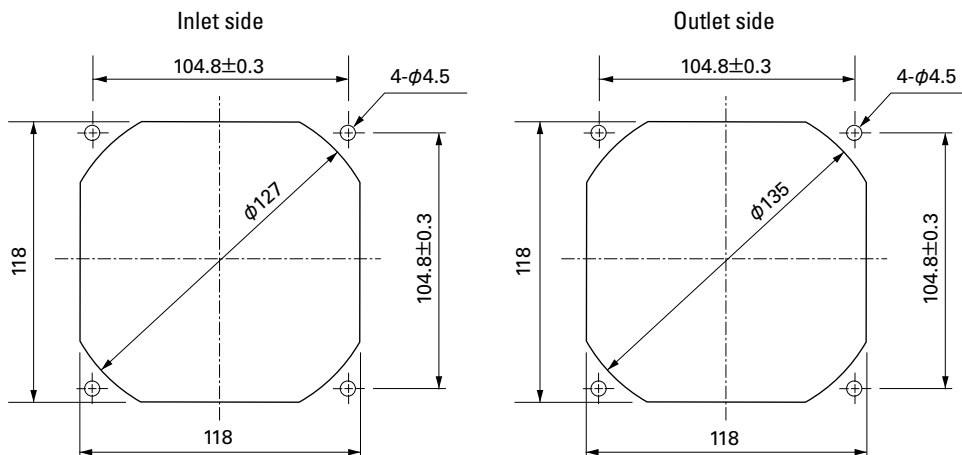
Model No.	Rated Voltage [V]	Operating Voltage Range [V]	PWM duty cycle※ [%]	Rated Current [A]	Rated Input [W]	Rated Speed [min <sup>-1</sup> ]	Max. Air Flow [m <sup>3</sup> /min] [CFM]	Max. Static Pressure [Pa] [inchH <sub>2</sub> O]	SPL [dB(A)]	Operating Temperature [°C]	Expected Life [h]
9WV1224P1H001	24	20.4 to 27.6	100	0.80	19.2	5,200	5.16 182	237 0.95	58	-10 to +70	60,000

※PWM Frequency : 25kHz

## Dimensions (Unit : mm)



## Reference dimension of mounting holes and vent opening (Unit : mm)

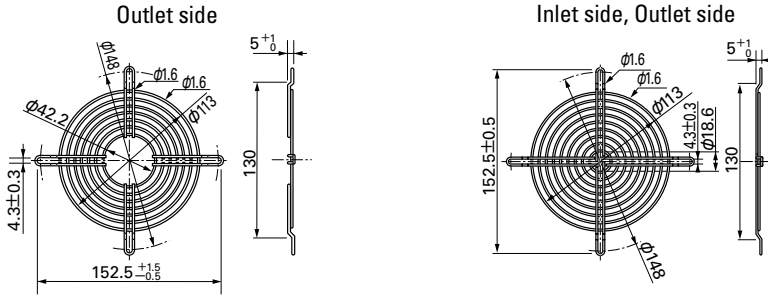


**Options (Unit : mm)**

**Finger guards**

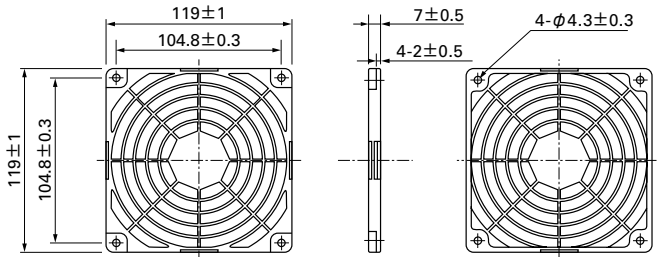
Model : 109-019C Surface treatment : Nickel-chrome plating (silver) Color : 109-019H : Cation electropainting (black)

Model : 109-019E Surface treatment : Nickel-chrome plating (silver) Color : 109-019K : Cation electropainting (black)



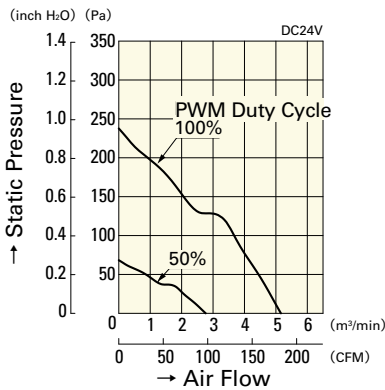
**Resin finger guards**

Model : 109-1000G



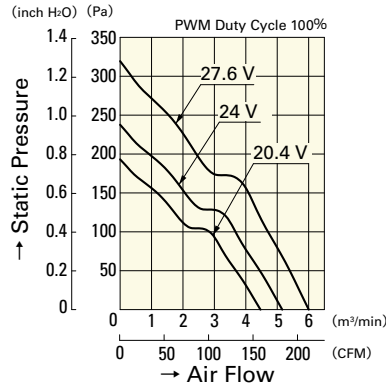
**Air Flow - Static Pressure Characteristics**

**PWM Duty Cycle**



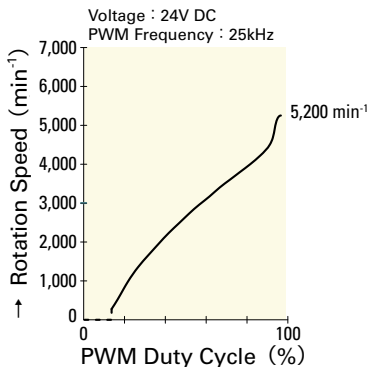
**9WV1224P1H001**

**Operating Voltage Range**



**9WV1224P1H001**

**PWM Duty - Speed Characteristics Example**



**9WV1224P1H001**