



Part Number : [1300370004](#)

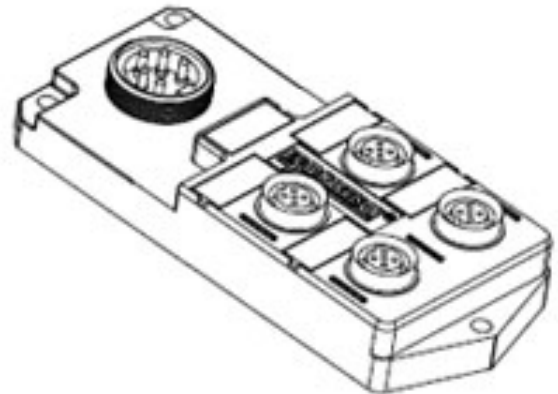
Product Description : DeviceNet Micro-Change (M12) -Change 4 Port Mini, Mini-Change 5 Poles, Male

Series Number : 130037

Status : Active

Product Category : Passive Distribution Boxes

Engineering Number : DND4200




Documents & Resources

Drawings

[1300370004_sd.pdf](#)

Product Environment Compliance

Compliance

GADSL/IMDS	Not Relevant
China RoHS	
EU ELV	Not Relevant
Low-Halogen Status	Not Reviewed per IEC 61249-2-21
REACH SVHC	Contains Lead; Dibutylphthalate; Tris(2-chloroethyl) phosphate per D(2022)4187-DC (10 June 2022)
EU RoHS	Not Compliant per EU 2015/863

Multiple Part Product Compliance Statements

- Eu RoHS
- REACH SVHC
- Low-Halogen

Multiple Part Industry Compliance Documents

- IPC 1752A Class C
- IPC 1752A Class D
- Molex Product Compliance Declaration
- IEC-62474
- chemSHERPA (xml)

Part Details

General

Status	Active
Category	Passive Distribution Boxes
Series	130037
Description	DeviceNet Micro-Change (M12) - Change 4 Port Mini, Mini-Change 5 Poles, Male
IP Rating	IP67
NEMA Rating	NEMA 6
Product Name	DeviceNet, Micro-Change (M12)
UPC	78678829102

Electrical

Current - Maximum per Contact	4.0A per port
Functional Wiring	Parallel
Voltage - Maximum	10-30V DC
Wiring Configuration	Single I/O per Port

Physical

Bus I/O	Micro-Change (M12)
Cable Connector Orientation	N/A
Cable Length	N/A
Home Run Cable Length	N/A
Home Run Connector	N/A
Home Run Interface	N/A
Keyway	Single
LED Indicator	No
Material - Cable Jacket	N/A
Material - Housing	PBT
Material - Metal	Copper
Material - Plating Mating	Gold
Net Weight	136.078/g

Orientation	Top-Mount
Poles	5
Poles (wired)	4
Ports	4
Temperature Range - Operating	-25°C to +90°C

This document was generated on Feb 13, 2025