



**RAYCHEM**

TE Internal #: 8958873001

Twisted Pair Cable, Spec 99M, Operating Voltage 600 VAC, Tin-Plated Copper, 22 AWG Wire Size, .33 mm<sup>2</sup> Wire Size

[View on TE.com >](#)

Wire & Cable > Twisted Pair Cable



Cable Type: **Spec 99M**

Operating Voltage: **600 VAC**

Wire & Cable Insulation Material: **Radiation-Crosslinked, Modified Polyester**

Conductor Material: **Tin-Plated Copper**

Wire Size: **22 AWG**

**Features**

**Electrical Characteristics**

Operating Voltage	600 VAC
-------------------	---------

**Body Features**

Wire & Cable Insulation Material	Radiation-Crosslinked, Modified Polyester
Conductor Material	Tin-Plated Copper

**Dimensions**

Wire Size	.33 mm <sup>2</sup>
-----------	---------------------

**Usage Conditions**

Cable Type	Spec 99M
Operating Temperature Range	-55 – 120 °C[-85 – 248 °F]

**Product Compliance**

[For compliance documentation, visit the product page on TE.com>](#)

EU RoHS Directive 2011/65/EU	Compliant
EU ELV Directive 2000/53/EC	Compliant
China RoHS 2 Directive MIIT Order No 32, 2016	No Restricted Materials Above Threshold
EU REACH Regulation (EC) No. 1907/2006	Current ECHA Candidate List: JUNE 2023 (235) Candidate List Declared Against: JUNE 2023 (235)

Does not contain REACH SVHC

Halogen Content

Out of Scope - excluded from Halogen requirements

Solder Process Capability

Not applicable for solder process capability

Product Compliance Disclaimer

This information is provided based on reasonable inquiry of our suppliers and represents our current actual knowledge based on the information they provided. This information is subject to change. The part numbers that TE has identified as EU RoHS compliant have a maximum concentration of 0.1% by weight in homogenous materials for lead, hexavalent chromium, mercury, PBB, PBDE, DBP, BBP, DEHP, DIBP, and 0.01% for cadmium, or qualify for an exemption to these limits as defined in the Annexes of Directive 2011/65/EU (RoHS2). Finished electrical and electronic equipment products will be CE marked as required by Directive 2011/65/EU. Components may not be CE marked. Additionally, the part numbers that TE has identified as EU ELV compliant have a maximum concentration of 0.1% by weight in homogenous materials for lead, hexavalent chromium, and mercury, and 0.01% for cadmium, or qualify for an exemption to these limits as defined in the Annexes of Directive 2000/53/EC (ELV). Regarding the REACH Regulation, the information TE provides on SVHC in articles for this part number is based on the latest European Chemicals Agency (ECHA) 'Guidance on requirements for substances in articles' posted at this URL: <https://echa.europa.eu/guidance-documents/guidance-on-reach>

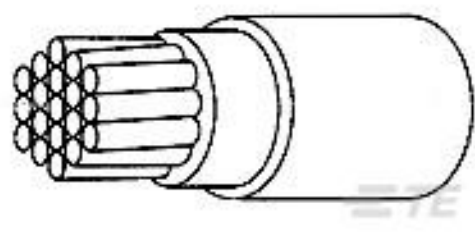
## Customers Also Bought



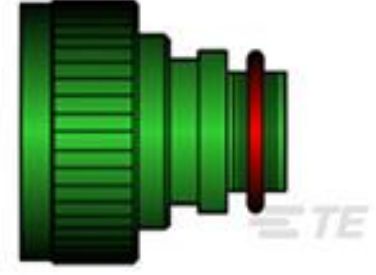
TE Part #K1008006  
Relay 26-71-01



TE Part #225107-000  
D-1744-04



TE Part #3624213001  
99M0111-16-45



TE Part #359757-000  
STXR40AB00-2018AI



TE Part #K1014846  
Relay 26-57-01



TE Part #K1008699  
Relay 26-60-05



TE Part #CD61183001  
44A0111-20-9CK0300



TE Part #CD61043001  
44A0111-16-9CK0300

## Documents

### Product Drawings

[99M0121-22-0/2](#)

English

### Datasheets & Catalog Pages

[1654025\\_Sec9\\_Type99M](#)

English

[Raychem Wire and Cable Quick Reference Guide](#)

99M0121-22-0/2

Twisted Pair Cable, Spec 99M, Operating Voltage 600 VAC, Tin-Plated Copper, 22 AWG Wire Size, .33 mm<sup>2</sup> Wire Size



English