

**SP - DP - SF ranges 120 x 38 mm Part number 99487400**

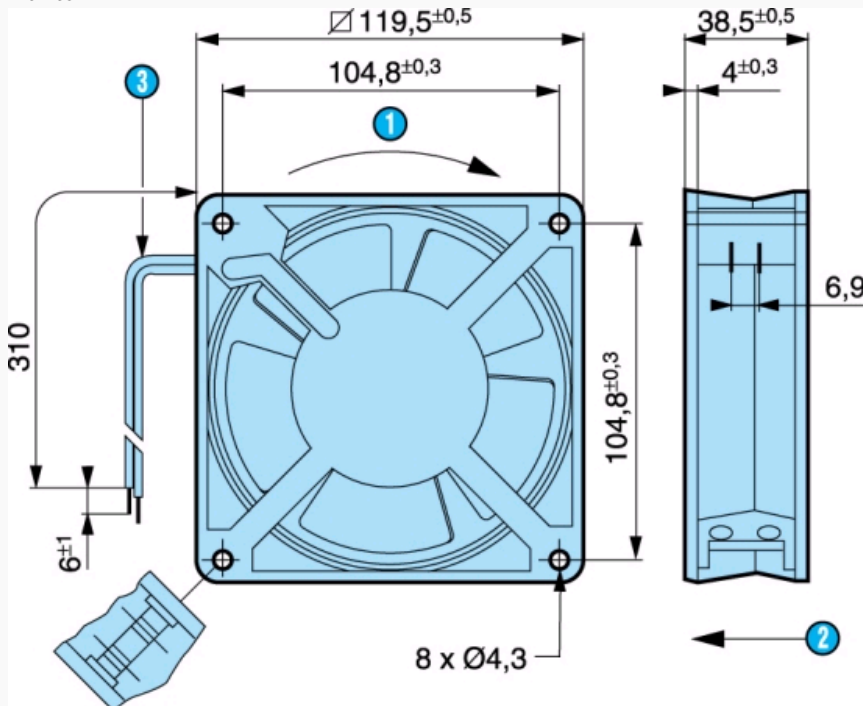

- air flow : 17 to 115 CFM
- acoustic noise : 29 to 50 dB A

**Part numbers**

	Type	Voltage (VAC)	Current (A)	Power (W)	Locked (A)	Speed (rpm)	Noise (dB A)	Air flow rate 1 CFM = 1,7 m3/h (CFM)	Outputs
<b>99 487 400</b>	120 x 38 mm	220/230	0,12/0,11	20/19	0,14/0,12	2550/2900	43/48	85/105	wire

**Specifications**

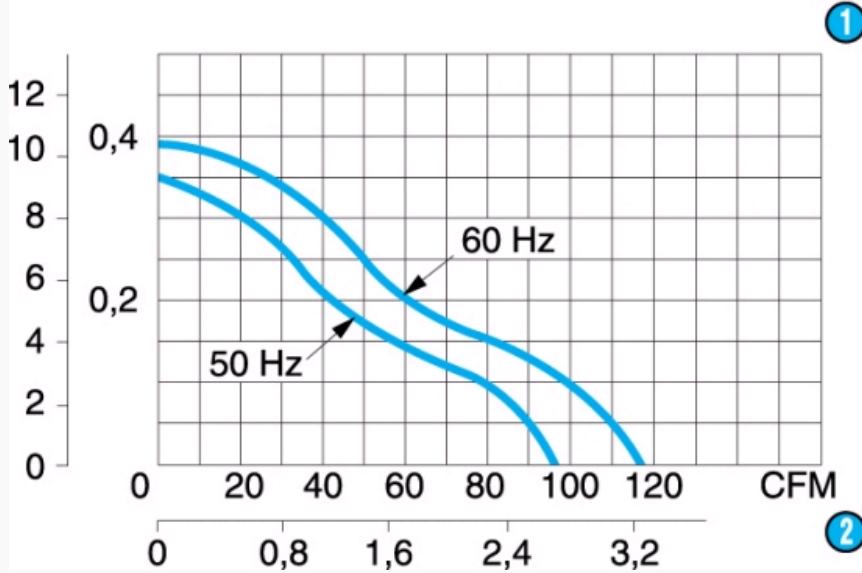
Frequency (Hz)	50/60
Bearings	sleeve
Material Plastic body	aluminium
Material Fan	PBT UL 94V-0
Motor : asynchronous with dephasing rings	■
Insulation (IEC 664-1)	Class B
Approved UL and CSA, in progress	■
Ball bearings on request for	92 x 25 mm 80 x 38 mm 80 x 25 mm
Weight 80 x 25 mm	260 g
Weight 80 x 38 mm	340 g
Weight 92 x 25 mm	280 g
Weight 120 x 38 mm	550 g
Minimum order quantity : 80 x 25 mm	50 units Packed in 1 box
Minimum order quantity : 80 x 38 mm	50 units Packed in 1 box
Minimum order quantity : 92 x 25 mm	50 units Packed in 1 box
Minimum order quantity : 120 x 38 mm	40 units Packed in 1 box
Other types : minimum quantity	500 units

**Dimensions (mm)**
**120 x 38**


N°	Legend
①	Rotation
②	Air flow
③	UL 1007 24 AWG

Curves

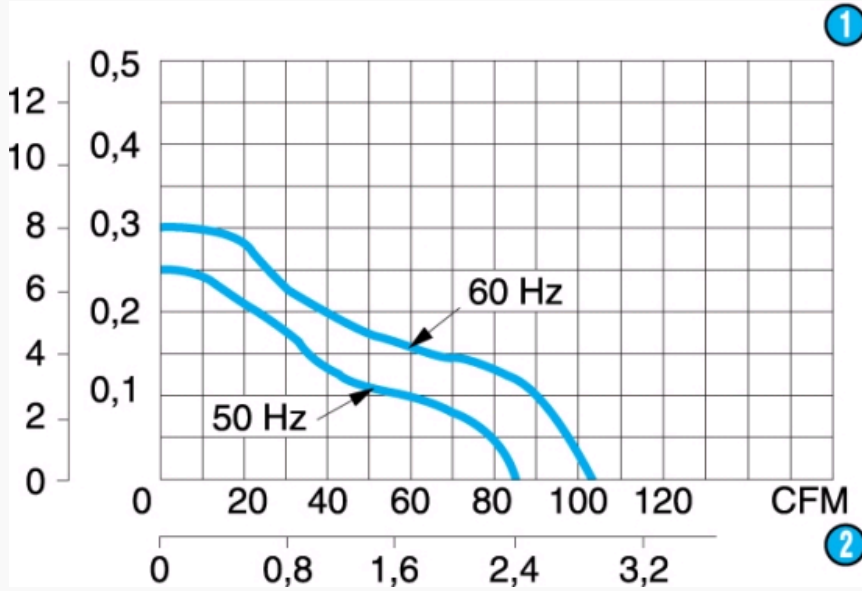
99 487 420



N°	Legend
①	Air flow
②	m <sup>3</sup> /min

Curves

99 487 4 - 99 489 4



N°	Legend
①	Air flow
②	m <sup>3</sup> /min