

# Product data sheet

## Miniature connectors

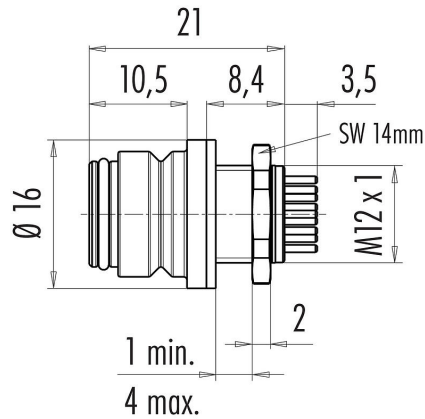


Product description	Snap-In IP67 female panel mount connector, Contacts: 12, unshielded, solder, IP67, VDE
Area	Snap-In IP67 series 720
Order number	99 9136 00 12

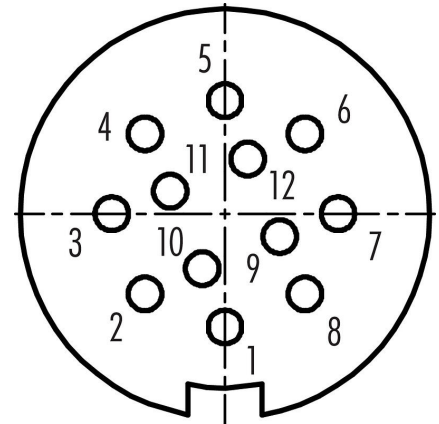
### Illustration



### Scale drawing



### Contact arrangement (Plug-in side)



You can find the component part drawing and assembly instructions on the next page.

### Technical data

#### General features

Order number	99 9136 00 12
Connector design	female panel mount connector
Version	connector female straight
Connector locking system	snap
Termination	solder
Degree of protection	IP67
Cross-sectional area	max. 0.25 mm <sup>2</sup> / max. AWG 24
Temperature range from/to	-25 °C / 85 °C
Mechanical operation	> 500 Mating cycles
Weight (g)	6.347
Customs tariff number	85369010

#### Electrical parameters

Rated voltage	60 V
Rated impulse voltage	800 V
Rated current (40 °C)	2 A
Insulation resistance	≥ 10 <sup>10</sup> Ω
Pollution degree	2
Overvoltage category	II
Insulating material group	II
EMC compliance	unshielded



# Product data sheet

## Miniature connectors

Product description	Snap-In IP67 female panel mount connector, Contacts: 12, unshielded, solder, IP67, VDE
Area	Snap-In IP67 series 720
Order number	99 9136 00 12

### Material

Housing material	PA
Contact body material	PA (UL94 V-0) black
Contact material	CuSn (bronze)
Contact plating	Au (gold)
REACH SVHC	CAS 7439-92-1 (Lead)
SCIP number	f3708067-80ac-47fc-ae45-590126a03563

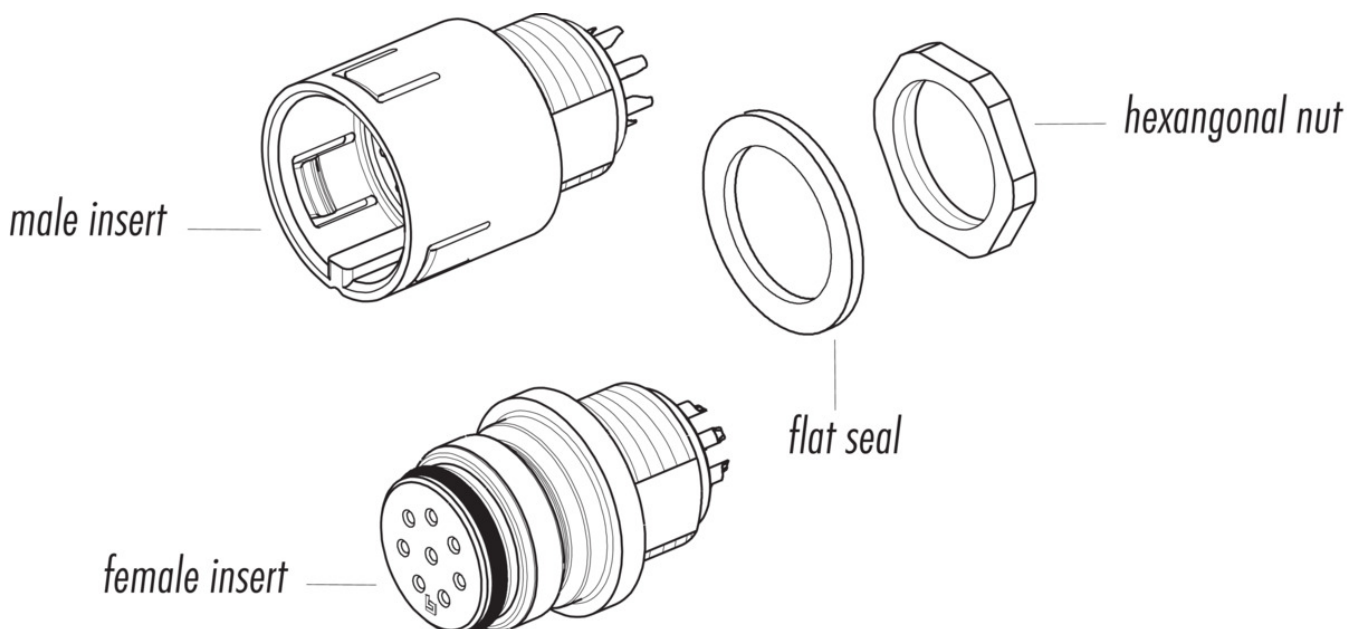
### Authorization/approvals

Approvals	VDE
-----------	-----

### Classifications

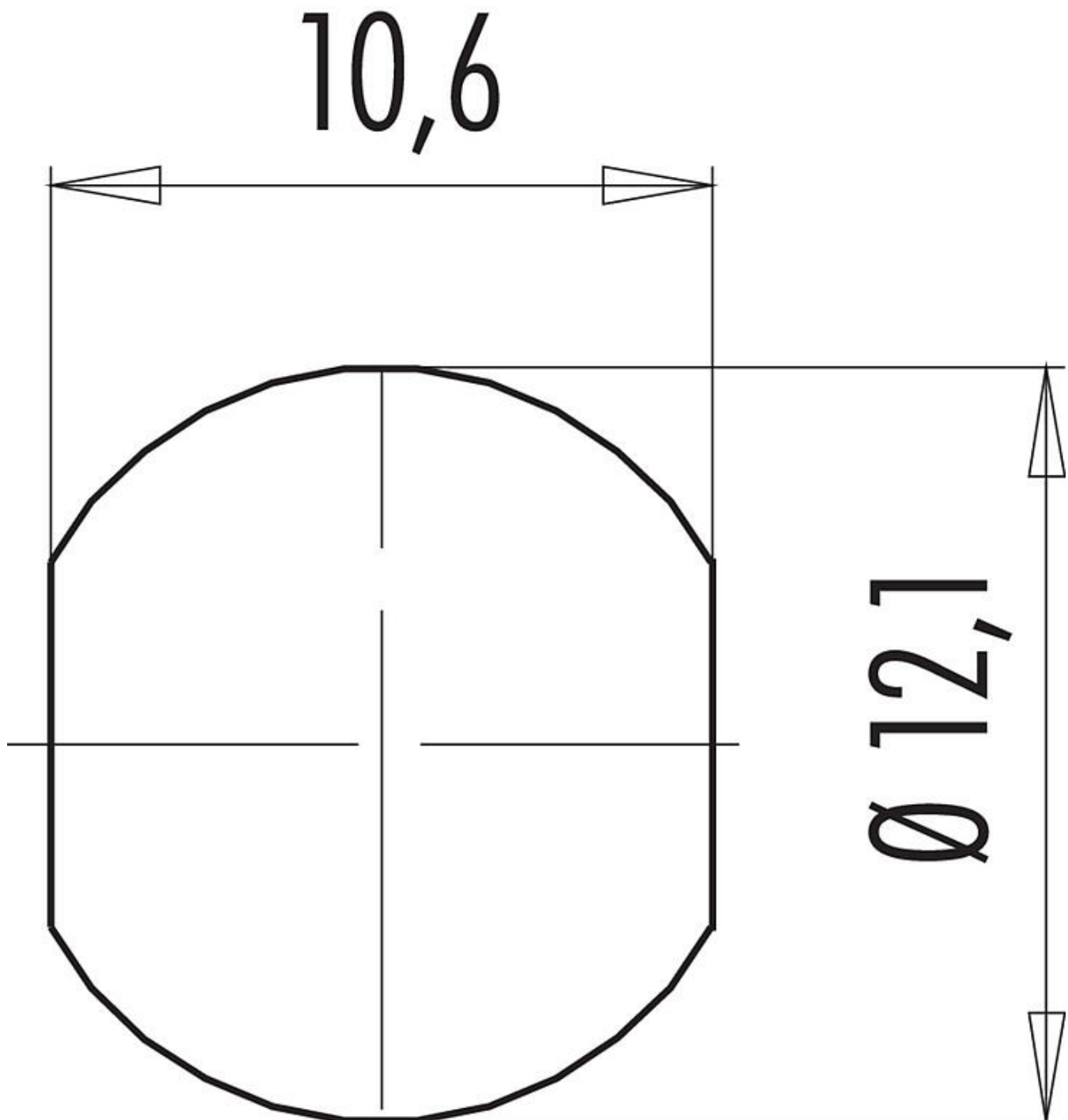
eCl@ss 11.1	27-44-01-02
ETIM 7.0	EC002635

### Component part drawing



Product description	Snap-In IP67 female panel mount connector, Contacts: 12, unshielded, solder, IP67, VDE
Area	Snap-In IP67 series 720
Order number	99 9136 00 12

### Assembly instructions / Panel cut-out



# Product data sheet

## Miniature connectors



Product description	<b>Snap-In IP67 female panel mount connector, Contacts: 12, unshielded, solder, IP67, VDE</b>
Area	<b>Snap-In IP67 series 720</b>
Order number	<b>99 9136 00 12</b>

### Security notices

The connectors have been developed for applications in plant engineering, control and electrical equipment construction. The user is responsible for checking whether the connectors can also be used in other areas of application.

Plug connectors with enclosure protection IP 67 and IP 68 are not suitable for use under water. When used outdoors, the plug connectors must be protected separately against corrosion. For further information on the IP protection classes, please refer to the "Technical Information" download centre.

