

| | |
|---------------------|---|
| Product description | Snap-In IP67 male panel mount connector, Contacts: 5, shielding is not possible, solder, IP67, VDE |
| Area | Snap-In IP67 series 720 |
| Order number | 99 9115 00 05 |

| Illustration | Scale drawing | Contact arrangement | | | | | | | | | | | | | | | | | | |
|--------------|---------------|---|--|---|---|---|-------|-------|---|------|-------|---|------|------|---|------|------|---|-------|------|
| | | <table border="1" style="margin-left: 20px;"> <thead> <tr> <th></th> <th>X</th> <th>Y</th> </tr> </thead> <tbody> <tr> <td>1</td> <td>-1,82</td> <td>-2,51</td> </tr> <tr> <td>2</td> <td>1,82</td> <td>-2,51</td> </tr> <tr> <td>3</td> <td>2,95</td> <td>0,96</td> </tr> <tr> <td>4</td> <td>0,00</td> <td>3,10</td> </tr> <tr> <td>5</td> <td>-2,95</td> <td>0,96</td> </tr> </tbody> </table> | | X | Y | 1 | -1,82 | -2,51 | 2 | 1,82 | -2,51 | 3 | 2,95 | 0,96 | 4 | 0,00 | 3,10 | 5 | -2,95 | 0,96 |
| | X | Y | | | | | | | | | | | | | | | | | | |
| 1 | -1,82 | -2,51 | | | | | | | | | | | | | | | | | | |
| 2 | 1,82 | -2,51 | | | | | | | | | | | | | | | | | | |
| 3 | 2,95 | 0,96 | | | | | | | | | | | | | | | | | | |
| 4 | 0,00 | 3,10 | | | | | | | | | | | | | | | | | | |
| 5 | -2,95 | 0,96 | | | | | | | | | | | | | | | | | | |

You can find the component part drawing and assembly instructions on the next page.

Technical data

General values

| | |
|--------------------------|----------------------------|
| Connector design | male panel mount connector |
| Connector locking system | snap |
| Termination | solder |
| Wire gauge (mm) | 0.75 mm ² |
| Wire gauge (AWG) | 18 |
| Upper limit temperature | 85 °C |
| Lower limit temperature | - 25 °C |
| Customs tariff number | 85369010 |
| Packaging Unit | 100 |

Electrical values

| | |
|---------------------------|---------------------------|
| Rated current (40 °C) | 5 A |
| Rated voltage | 125 V |
| Rated impulse voltage | 1500 V |
| Pollution degree | 2 |
| Overvoltage category | II |
| Insulating material group | II |
| Insulation resistance | ≥ 10 ¹⁰ Ω |
| EMC compliance | shielding is not possible |
| Degree of protection | IP67 |
| Mechanical operation | > 500 Mating cycles |

Cable data

| | |
|------------|-----|
| Approval 1 | VDE |
|------------|-----|

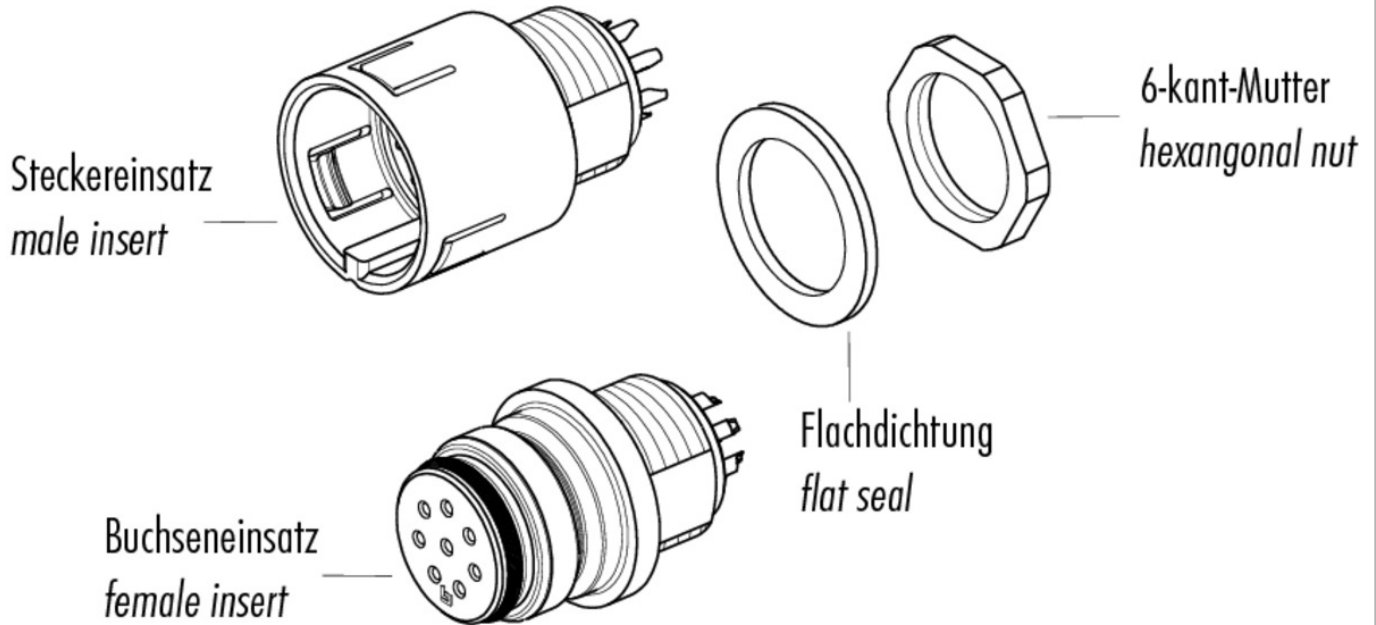
Material

| | |
|-----------------------|---------------|
| Contact material | CuZn (brass) |
| Contact plating | Au (gold) |
| Contact body material | PA (UL94 V-0) |
| Housing material | PA |

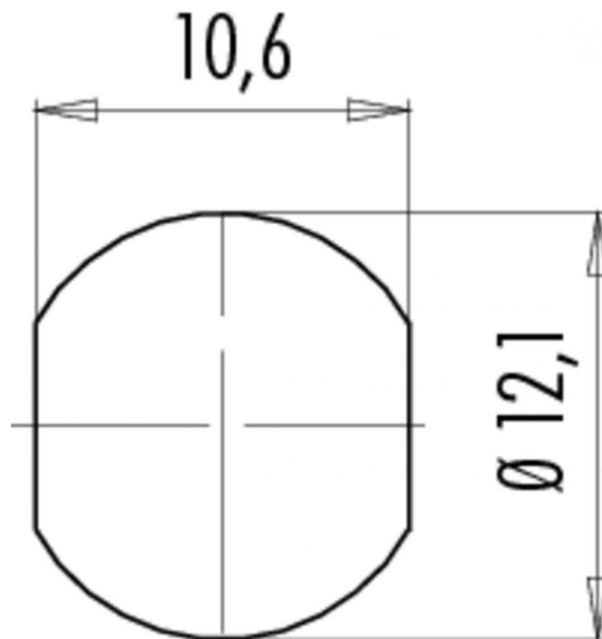
Product description Snap-In IP67 male panel mount connector, Contacts: 5, shielding is not possible, solder, IP67, VDE

Area Snap-In IP67 series 720
Order number 99 9115 00 05

Component part drawing



Assembly instructions / Panel cut-out



| | |
|---------------------|---|
| Product description | Snap-In IP67 male panel mount connector, Contacts: 5, shielding is not possible, solder, IP67, VDE |
| Area | Snap-In IP67 series 720 |
| Order number | 99 9115 00 05 |

Security notices

The connector must not be connected or separated under load. Non-observance and incorrect use can result in personal injury.

The connectors are designed for use in plant, control system and electrical equipment. The end user is responsible for checking whether the connectors are suitable for use in other applications.

Connectors with degree of protection IP 67 and IP 68 are not suitable for use under water. When used outdoors, the connectors must be separately protected against corrosion. For further information about IP degrees of protection refer to 'Technical support' in the Download Centre.