

Product description	M16 IP67 female cable connector, Contacts: 7 DIN, 6.0 - 8.0 mm, shieldable, solder, IP67, UL
Area	M16 IP67 series 423
Order number	99 5682 15 07

Illustration	Scale drawing	Contact arrangement (Plug-in side)

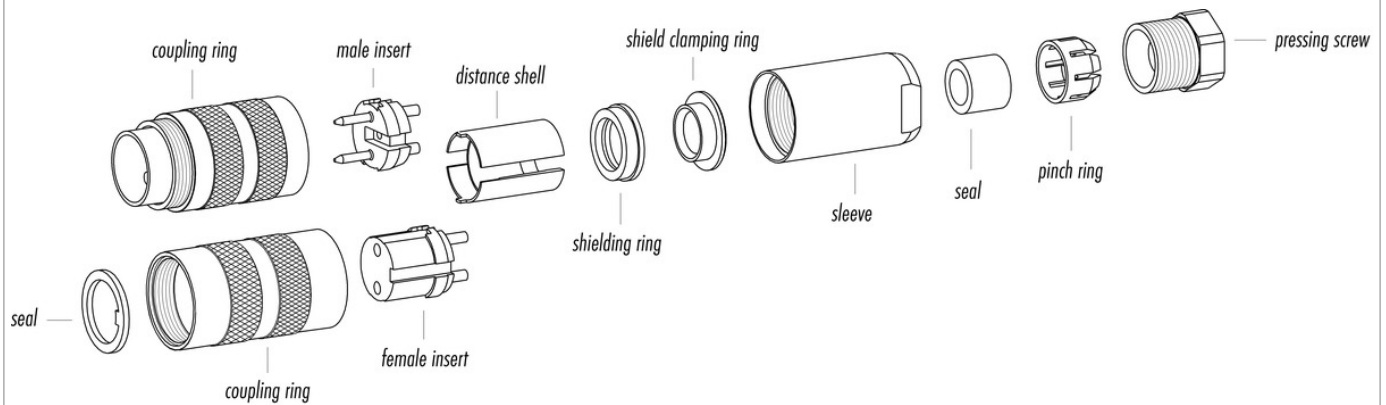
You can find the component part drawing and assembly instructions on the next page.

Technical data

General features		Material	
Order number Connector design Version Connector locking system Termination Degree of protection Cross-sectional area Cable outlet Temperature range from/to Mechanical operation Weight (g) Customs tariff number	99 5682 15 07 female connector connector female straight screw solder IP67 max. 0.75 mm ² / max. AWG 18 6.0 - 8.0 mm -30 °C / 95 °C > 500 Mating cycles 48.741 85369010	Contact body material Contact material Contact plating REACH SVHC	PBT (UL94 V-0) CuSn (bronze) Ag (silver) CAS 7439-92-1 (Lead)
Electrical parameters		Classifications	
Rated voltage Rated impulse voltage Rated current (40 °C) Insulation resistance Pollution degree Overvoltage category Insulating material group EMC compliance Shield connection	60 V 800 V 5 A ≥ 10 ¹⁰ Ω 1 I III shieldable shield ring	eCl@ss 11.1 ETIM 7.0	27-44-01-02 EC002635
		Declarations of conformity	
		Low Voltage Directive	2014/35/EU (EN 60204-1:2018;EN 60529:1991)

Product description	M16 IP67 female cable connector, Contacts: 7 DIN, 6.0 - 8.0 mm, shieldable, solder, IP67, UL
Area	M16 IP67 series 423
Order number	99 5682 15 07

Component part drawing

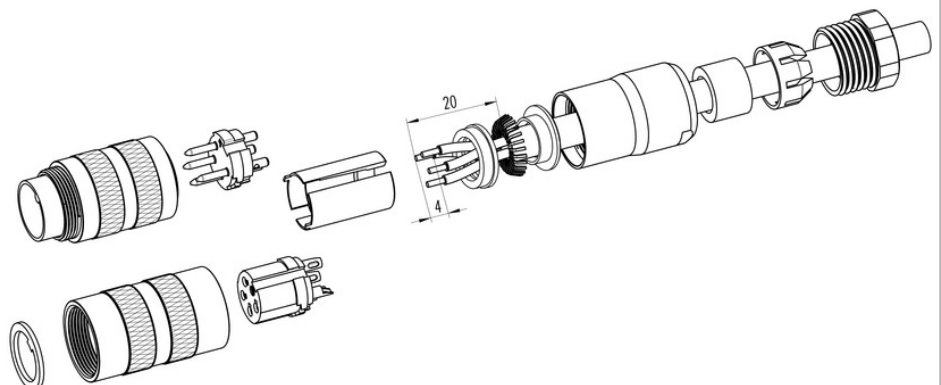


Assembly instructions / Panel cut-out

Straight version

(Version with shield clamping ring)

1. Bead pressing screw, pinch ring, seal, distance shell and first shield clamping ring on cable.
2. Strip wires, widen shield and bead second shield clamping ring.
3. Solder wires, snap distance shell, push the two shield clamping rings together and cut off projecting shielding braid.
4. Assemble remaining parts according to picture.



Product description	M16 IP67 female cable connector, Contacts: 7 DIN, 6.0 - 8.0 mm, shieldable, solder, IP67, UL
Area	M16 IP67 series 423
Order number	99 5682 15 07

Security notices

The connectors have been developed for applications in plant engineering, control and electrical equipment construction. The user is responsible for checking whether the connectors can also be used in other areas of application.

Plug connectors with enclosure protection IP 67 and IP 68 are not suitable for use under water. When used outdoors, the plug connectors must be protected separately against corrosion. For further information on the IP protection classes, please refer to the "Technical Information" download centre. To lock the cable connector with the device connector, the threaded ring is tightened "hand-tight" (approx. 50 cNm).