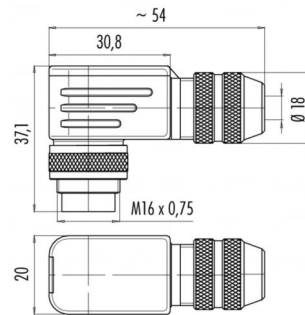


Product description **M16 IP67 male angled connector, Contacts: 19, 6.0 - 8.0 mm, shieldable, solder, IP67, UL**
 Area **M16 IP67 series 423**
 Order number **99 5661 75 19**

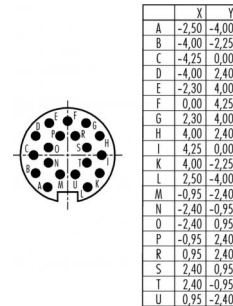
Illustration



Scale drawing



Contact arrangement



You can find the component part drawing and assembly instructions on the next page.

Technical data

General values

Connector design male angled connector
 Connector locking system screw
 Termination solder
 Wire gauge (mm) 0.25 mm²
 Wire gauge (AWG) 24
 Cable outlet 6.0 - 8.0 mm
 Upper limit temperature 95 °C
 Lower limit temperature - 30 °C
 Customs tariff number 85369010
 Packaging Unit 20

Electrical values

Rated current (40 °C) 3 A
 Rated voltage 60 V
 Rated impulse voltage 500 V
 Pollution degree 1
 Overvoltage category I
 Insulating material group III
 Insulation resistance $\geq 10^{10} \Omega$
 EMC compliance shieldable
 Degree of protection IP67
 Mechanical operation > 500 Mating cycles

Cable data

Approval 1 UL

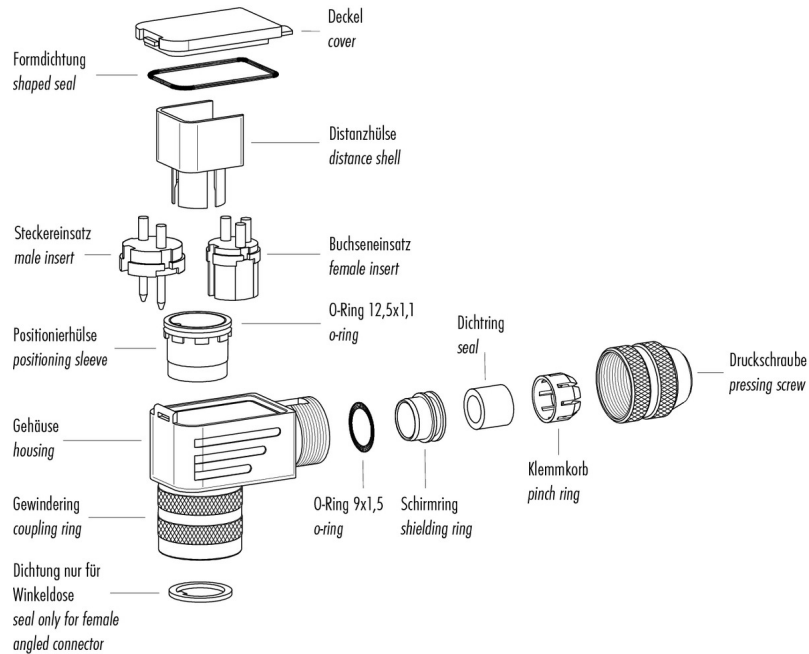
Material

Contact material CuZn (brass)
 Contact plating Au (gold)
 Contact body material PBT (UL94 V-0)

Product description **M16 IP67 male angled connector, Contacts: 19, 6.0 - 8.0 mm, shieldable, solder, IP67, UL**

Area **M16 IP67 series 423**
Order number **99 5661 75 19**

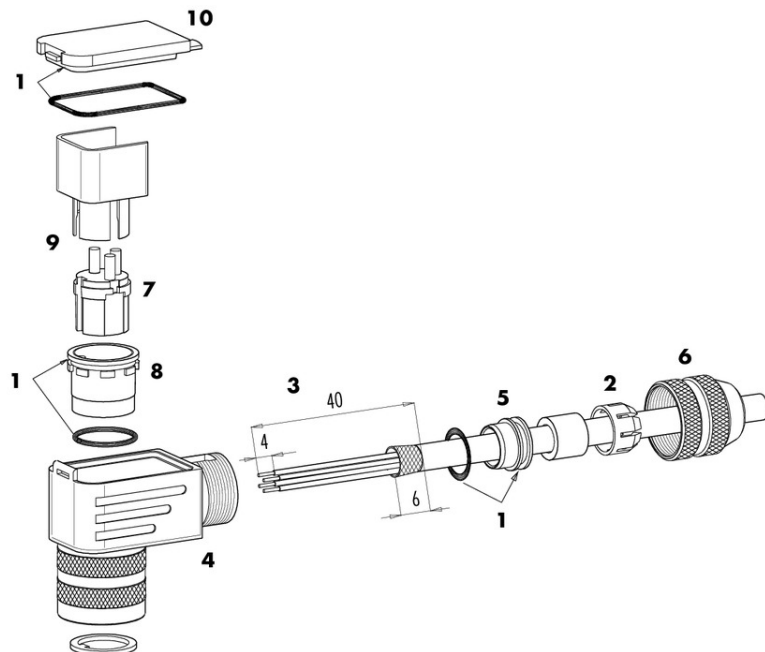
Component part drawing



Assembly instructions / Panel cut-out

Winkelversion

1. Dichtungen montieren (3x).
2. Kabelteile auffädeln.
3. Kabel und Schirm abmanteln.
4. Litzen durch das Gehäuse fädeln.
5. Schirmring, Klemmkorb montieren.
6. Druckschraube leicht drehen.
7. Litzen an Kontakteinsatz löten.
8. Verdrehhülse in Winkelstellung montieren.
9. Kontakteinsatz, Distanzhülse einsetzen.
10. Deckel einhaken.
11. Druckschraube festziehen (ca. 10-20 Nm).



Product description	M16 IP67 male angled connector, Contacts: 19, 6.0 - 8.0 mm, shieldable, solder, IP67, UL
Area	M16 IP67 series 423
Order number	99 5661 75 19

Security notices

The connectors are designed for use in plant, control system and electrical equipment. The end user is responsible for checking whether the connectors are suitable for use in other applications.

Connectors with degree of protection IP 67 and IP 68 are not suitable for use under water. When used outdoors, the connectors must be separately protected against corrosion. For further information about IP degrees of protection refer to 'Technical support' in the Download Centre.

To lock the cable connector to the equipment connector, the threaded ring is tightened until it is 'finger-tight' (approx. 50 cNm).